

Invacare® Top End® Preliminator™ Custom Racing Wheelchair

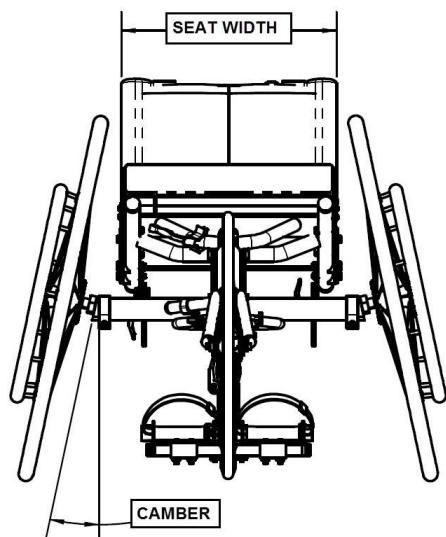
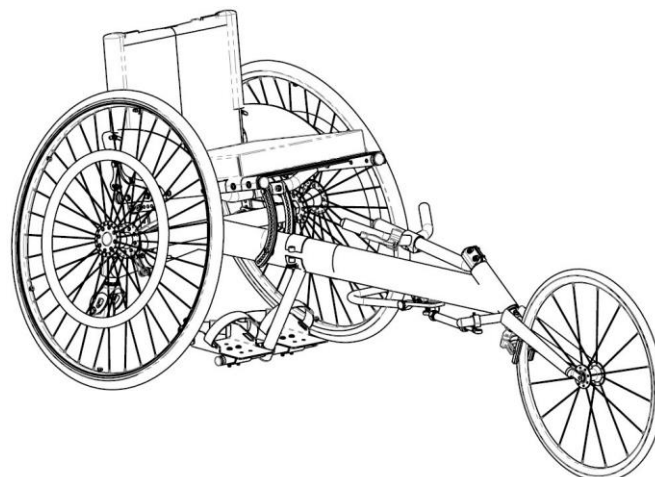


49 Bespoke Inc.
51 Caldari Road, Units 6-7B
Concord, ON L4K4G3, Canada
Telephone: 866.827.4548 Fax: 877.731.7745
49@49bespoke.com www.49bespoke.com

PROVIDER / CUSTOMER INFORMATION:		
Provider Information:		End User Information:
Date:	Name:	Height:
IVC Acct #:	Ship to Address:	Weight (lbs.):
Contact:	Address Line 2:	Leg Length (in.):
Phone #:	City:	Hip Width (in.):
Fax/Email:	State:	Zip:
<input type="radio"/> Ship to Provider		<input type="radio"/> Ship to End User
		Email:

ORDER REQUEST TYPE:		
<input type="radio"/> Quote	<input type="radio"/> Order	PO # <input type="text"/>

BASE MODEL:		
<input checked="" type="radio"/> 10033	Top End Preliminator Custom Model	\$
Assembly: <i>(see definitions)</i>		
<input checked="" type="radio"/> 10048	Assembled	\$
Shipping:		
Shipping Fee		\$
<i>(Continental US Only - See definitions)</i>		



CAMBER ANGLE: <i>(see diagram above)</i>		
<input checked="" type="radio"/> 45006	12 Degree Camber	\$

AXLES:		
<input checked="" type="radio"/> 50400	Quick Release Axles	\$

AXLE POSITION:		
<input checked="" type="radio"/> 15243	2.75" to 5.75" Adjustable Axle Position	\$

WHEEL SETS:		
FRONT WHEEL:		
<input checked="" type="radio"/> 50145	20" Metal Spoked <i>(Tubular)</i>	\$
REAR WHEELS:		
<input type="radio"/> 50003	26" (590) High Performance <i>(Clincher)</i>	\$
<input type="radio"/> 50004	700C High Performance <i>(Clincher)</i>	\$
FRONT TIRE:		
<input checked="" type="radio"/> 50405	20" Panaracer <i>(Tubular)</i>	\$
REAR TIRES:		
<input type="radio"/> 50202	26" (590) Primo, Grey <i>(Clincher)</i>	\$
<input type="radio"/> 50460	700c Primo, Black <i>(Clincher)</i>	\$

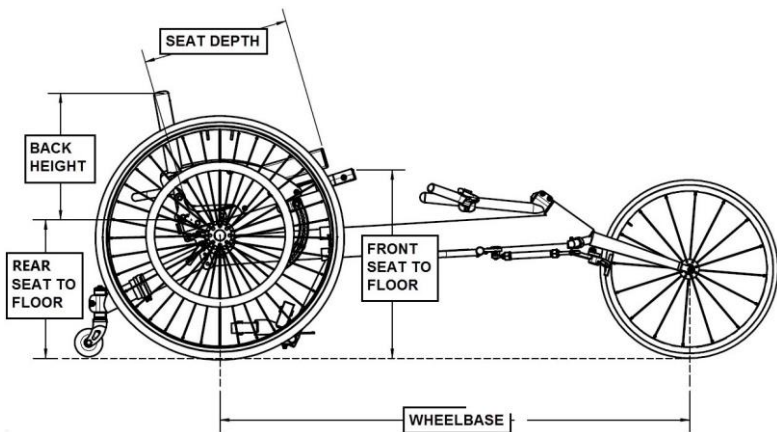
PUSHRIMS: <i>(see definitions)</i>		
<input type="radio"/> 50406	12.0" Diameter Pushrims	\$
<input type="radio"/> 50407	12.5" Diameter Pushrims	\$
<input type="radio"/> 50408	13.0" Diameter Pushrims	\$
<input type="radio"/> 50409	13.5" Diameter Pushrims	\$
<input type="radio"/> 50410	14.0" Diameter Pushrims	\$
<input type="radio"/> 50411	14.5" Diameter Pushrims	\$
<input type="radio"/> 50404	15.0" Diameter Pushrims	\$
<input type="radio"/> 50412	15.5" Diameter Pushrims	\$
<input type="radio"/> 50413	16.0" Diameter Pushrims	\$

Invacare® Top End® Preliminator™ Custom Racing Wheelchair



SIZING: (see exclusions) (see diagram below)		
SEAT WIDTH:		
<input type="radio"/> 15005	10" Seat Width	\$
<input type="radio"/> 15007	11" Seat Width	\$
<input type="radio"/> 15009	12" Seat Width	\$
<input type="radio"/> 15011	13" Seat Width	\$
<input type="radio"/> 15013	14" Seat Width	\$
<input type="radio"/> 15015	15" Seat Width	\$
<input type="radio"/> 15017	16" Seat Width	\$
<input type="radio"/> 15019	17" Seat Width	\$
<input type="radio"/> 15021	18" Seat Width	\$
SEAT DEPTH:		
<input type="radio"/> 15034	10" Seat Depth	\$
<input type="radio"/> 15036	11" Seat Depth	\$
<input type="radio"/> 15038	12" Seat Depth	\$
<input type="radio"/> 15040	13" Seat Depth	\$
<input type="radio"/> 15044	15" Seat Depth	\$
<input type="radio"/> 15048	17" Seat Depth	\$
BACK HEIGHT:		
<input type="radio"/> 15136	Adjustable 11" to 14"	\$
<input type="radio"/> 15137	Adjustable 12" to 16"	\$
<input type="radio"/> 15138	Adjustable 14" to 18"	\$
FRONT SEAT TO FLOOR:		
<input checked="" type="radio"/> 15360	Adjustable, 17.0" - 21.0" (1/2" increments)	\$
REAR SEAT TO FLOOR:		
<input checked="" type="radio"/> 15359	Adjustable, 13.5 - 15.0" (1/2" increments)	\$

WHEELBASE: (see definitions and diagram below)		
<input type="radio"/> 75087	44" Wheelbase	\$
<input type="radio"/> 75088	46" Wheelbase	\$
<input type="radio"/> 75086	48" Wheelbase	\$
<input type="radio"/> 75090	50" Wheelbase	\$
<input type="radio"/> 75091	52" Wheelbase	\$



STEERING:		
STEERING HANDLE:		
<input type="radio"/> 65120	Horizontal Steering Handle	\$
<input type="radio"/> 65121	Vertical Steering Handle	\$
TRACK CONTROL:		
<input checked="" type="radio"/> 65115	Triangle Track Control	\$
TRACK CONTROL MOUNT:		
<input checked="" type="radio"/> 65111	Bottom Mount	\$

FOOTREST:		
<input checked="" type="radio"/> 60070	Clamp-On Footrest, Adjustable	\$

ANTI - TIP:		
<input checked="" type="radio"/> 20064	Telescoping, Adjustable Height Anti-Tip	\$

SIDE GUARDS:		
<input checked="" type="radio"/> 20014	Screw-on, Aluminum Side Guards	\$

FENDERS:		
<input type="radio"/> 20068	Omit Fenders	\$
<input type="radio"/> 20065	Clamp On Fenders (26" Wheels)	\$
<input type="radio"/> 20066	Clamp On Fenders (700C Wheels)	\$

UPHOLSTERY:		
MATERIAL & COLOR:		
<input checked="" type="radio"/> 30001	Nylon, Black Upholstery	\$
SEAT UPHOLSTERY:		
<input checked="" type="radio"/> 30019	Screw-on Seat Upholstery	\$
<input checked="" type="radio"/> 25060	Hook and Loop Positioning Strap	\$
BACK UPHOLSTERY:		
<input checked="" type="radio"/> 30012	Adjustable Tension Back Upholstery	\$
SEAT CUSHION:		
<input checked="" type="radio"/> 25063	2" Soft Seat Cushion	\$

Invacare® Top End® Preliminator™ Custom Racing Wheelchair



FRAME COLOR:				
<input type="radio"/>	55018	Black	Wet Black	\$
<input type="radio"/>	55019	Black	Black Prism	\$
<input type="radio"/>	55017	Black	Stealth Black	\$
<input type="radio"/>	55010	Blue	Midnight Blue	\$
<input type="radio"/>	55011	Blue	Royal Blue	\$
<input type="radio"/>	55012	Blue	Electric Blueberry	\$
<input type="radio"/>	55023	Grey	Stealth Grey	\$
<input type="radio"/>	55053	Green	Agriculture Green	\$
<input type="radio"/>	55008	Green	Grasshopper Green	\$
<input type="radio"/>	55054	Green	Neon Green	\$
<input type="radio"/>	55006	Orange	Sunkissed Orange	\$
<input type="radio"/>	55005	Orange	Simple Orange	\$
<input type="radio"/>	55051	Orange	Neon Orange	\$
<input type="radio"/>	55015	Pink	Bubblegum Pink	\$
<input type="radio"/>	55057	Pink	Neon Pink	\$
<input type="radio"/>	55055	Purple	Lilac Purple	\$
<input type="radio"/>	55001	Red	Simple Red	\$
<input type="radio"/>	55002	Red	Tangerine Red	\$
<input type="radio"/>	55003	Red	Raspberry Red	\$
<input type="radio"/>	55050	Red	Neon Red	\$
<input type="radio"/>	55020	Silver	Silver Metallic	\$
<input type="radio"/>	55016	White	White Snow	\$
<input type="radio"/>	55007	Yellow	Safety Yellow	\$
<input type="radio"/>	55052	Yellow	Neon Yellow	\$

FORK COLOR:				
<input checked="" type="radio"/>	55068	Black	Flat Black	\$

Warranty Info:

Invacare warrants the frames and forks when purchased new and unused to be free from defects in materials and workmanship for a period of two (2) years from the date of purchase from Invacare or a dealer, with a copy of the seller's invoice required for coverage under this warranty. Invacare warrants the upholstered materials (seat and back) and remaining components of this product when purchased new and unused to be free from defects in materials and workmanship for a period of thirteen (13) months from date of purchase from Invacare or a dealer, with a copy of the seller's invoice required for coverage under this warranty

EXCLUSIONS:

AVAILABLE SEAT WIDTHS AND DEPTHS	SEAT DEPTH					
	D10	D11	D12	D13	D15	D17
W10	YES	YES	YES	NO	NO	NO
W11	YES	YES	YES	NO	NO	NO
W12	YES	YES	YES	NO	NO	NO
W13	NO	NO	NO	YES	YES	YES
W14	NO	NO	NO	YES	YES	YES
W15	NO	NO	NO	YES	YES	YES
W16	NO	NO	NO	YES	YES	YES
W17	NO	NO	NO	YES	YES	YES
W18	NO	NO	NO	YES	YES	YES

Note: All Special requests are subject to approval, additional charges, and additional lead time.

Special Request 1)	
Special Request 2)	
Special Request 3)	
Special Request 4)	
Special Request 5)	

ACCESSORIES: (see definitions - may require self installation)		
SAFETY:		
<input type="radio"/>	25018	Helmet, Small/Medium \$
<input type="radio"/>	25019	Helmet, Medium/Large \$
<input type="radio"/>	25073	Safety Flag and Mount \$
POSITIONING:		
<input type="radio"/>	25001	Click Strap, 8" Small \$
<input type="radio"/>	25002	Click Strap, 10" Medium \$
<input type="radio"/>	25003	Click Strap, 12" Large \$
PERFORMANCE ENHANCEMENT:		
<input checked="" type="radio"/>	25033	Heartrate Monitor \$
<input type="radio"/>	25024	Cordless Computer (tracks speed, distance, etc.) \$
<input type="radio"/>	25022	Wheel Alignment Gauge \$
<input type="radio"/>	25076	Garmin (tracks speed, heartrate, distance, etc.) \$
APPAREL:		
<input type="radio"/>	25084	Lemon Yellow Top End T-Shirt \$
<input type="radio"/>	25085	Grey Top End T-Shirt \$
<input type="radio"/>	25086	Grey Top End Racer Back Tank Top \$
<i>Please select a size for your shirt selection:</i>		
<input type="radio"/>	25087	Extra Small
<input type="radio"/>	25088	Small
<input type="radio"/>	25089	Medium
<input type="radio"/>	25090	Large
<input type="radio"/>	25091	Extra Large
<input type="radio"/>	25092	XX Large
<input type="radio"/>	25093	XXX Large

DEFINITIONS:	
Assembly and Shipping:	Arrives factory assembled, rear wheels and some accessories will need to be installed. Shipping rate is \$150 for all shipments in the continental US. Freight quotes for shipments outside the continental US are available upon request.
Pushrims:	Pushrims are made of 3/4" Aluminum tubing with textured finish.
Wheelbase:	Measured from rear axle to front axle.
Accessories:	All Accessories are boxed separately and require self installation.

Invacare Corporation Top End Division

All rights reserved. Trademarks are identified by the symbols ™ and ®. All trademarks are owned by or licensed to Invacare Corporation unless otherwise noted. Specifications and prices are subject to change without notification.

©2015 Invacare Corporation

60109308 REV B KPIPARO 11-4-2018