

# An electric HANDBIKE for every need

At **Batec Mobility** we have a handbike for every need:

- 1 Discover the full range
- 2 Compare our models
- 3 Choose the one that suits you best!



Kit your **Batec** out with the most **original and practical accessories** for your daily life.



The **quadriplegic** version includes a **handlebar without levers** for smooth movements when braking and accelerating.



The **hemiplegic** version has **all the controls on one side** and Monolever brakes.



**Batec** is compatible with **95% of wheelchairs** on the market.

# The ultimate mobility tool:

**Batec handbikes** are a comprehensive solution to your mobility problems:

- ✓ Go from reduced to **augmented mobility**; from needing help to being **independent** and **proactive**.
- ✓ Get a **2 in 1**, without giving up your manual wheelchair.
- ✓ **Overcome obstacles** and **drive over bumpy terrains** without any problems.
- ✓ Attach our handbikes **in just seconds** and **with no need for transfers**.
- ✓ Also available for **quadriplegics** and **hemiplegics**.



49 Bespoke Inc.  
T: 866-827-4548 / 416-661-4499  
F: 877-731-7745 / 416-661-8903  
49@49bespoke.com  
www.49bespoke.com

**BATEC MOBILITY S.L.**  
Illa de Buda, 2  
08192 Sant Quirze del Vallès  
(Barcelona) - SPAIN  
+34 93 544 2003  
info@batec-mobility.com

# COMPARE and CHOOSE your electric handbike





## BATEC MINI 2



### Maximum speed

20 Km/h

### Autonomy

28 km \* with a 280 Wh battery  
52 km \* with a 522 Wh battery

### Motor

350 RPM high-torque brushless motor  
Nominal power: 350 W  
Peak power: 600 W  
Reverse gear

### Battery and charger

2 options: 36V - 280 Wh or 36V - 522Wh  
4A Charger

### Frame

Aluminium 7005 T6/ Aluminium 6061 T6  
Black 1.1/8 headset  
Folding stem bar  
Removable right dropout  
-

### Handlebar

Folding handlebar in matte black aluminium  
Available for quadriplegics and hemiplegics

### Brakes

Avid BB5 mechanical brakes  
Brake levers with parking brake  
Avid G2 140-mm rotor disc

### Wheel

12" x 2.40" ultra-grip tyre  
12" cast aluminium rim

### Equipment

100-lumen front light with position light  
Dual LED tail lights on the stand frame  
All-in-one LCD screen with cyclo computer and battery gauge  
USB charging port  
Horn  
BATEC ACOPLA support  
Transport handle special for BATEC MINI 2  
-

### Weight

12,9 kg (without battery)

## BATEC MINI



### Maximum speed

20 Km/h

### Autonomy

22 km \* with a 280 Wh battery  
40 km \* with a 522 Wh battery

### Motor

250 RPM high-torque brushless motor  
Nominal power: 900 W  
Peak power: 1050 W  
Reverse gear

### Battery and charger

2 options: 36 V - 280 Wh or 36 V - 522 Wh  
4A Charger

### Frame

7005 T6 Aluminium  
Black 1.1/8 headset  
Removable right dropout  
-

### Handlebar

Matte black aluminium handlebar  
Available for quadriplegics and hemiplegics

### Brakes

Avid BB5 mechanical brakes  
Brake levers with parking brake  
Avid G2 180-mm rotor disc

### Wheel

16" x 2.40" ultra-grip tyre  
16" black aluminium double-wall rim

### Equipment

700-lumen front light with position light  
Dual LED tail lights on the stand frame  
All-in-one LCD screen with cyclo computer and battery gauge  
USB charging port  
Horn  
BATEC ACOPLA support  
-

### Weight

14,7 Kg (without battery)

## BATEC ELÉCTRICO 2



### Maximum speed

25 Km/h

### Autonomy

22 km \* with a 280 Wh battery  
40 km \* with a 522 Wh battery

### Motor

250 RPM high-torque brushless motor  
Nominal power: 900 W  
Peak power: 1050 W  
Reverse gear

### Battery and charger

2 options: 36 V - 280 Wh or 36 V - 522 Wh  
4A Charger

### Frame

7005 T6 Aluminium  
Black 1.1/8 headset  
Removable right dropout  
-

### Handlebar

Matte black aluminium handlebar  
Available for quadriplegics and hemiplegics

### Brakes

Avid BB5 mechanical brakes  
Brake levers with parking brake  
Avid G2 180-mm rotor disc

### Wheel

18" x 2.40" exclusive ultra-grip tyre  
18" black aluminium double-wall rim

### Equipment

700-lumen front light with position light  
Dual LED tail lights on the stand frame  
All-in-one LCD screen with cyclo computer and battery gauge  
USB charging port  
Horn  
BATEC ACOPLA support  
BATEC ASA  
Removable QR weights

### Weight

15,9 Kg (without battery)

## BATEC RAPID 2



### Maximum speed

30 Km/h

### Autonomy

22 km \* with a 280 Wh battery  
50 km \* with a 678 Wh battery

### Motor

300 RPM high-torque brushless motor  
Nominal power: 1200 W  
Peak power: 1300 W  
Reverse gear

### Battery and charger

2 options: 36/48 V - 280 Wh or 48 V - 678 Wh  
3A Charger

### Frame

7005 T6 Aluminium  
1.1/8 FSA Orbit Mx Black steering  
Removable right dropout  
-

### Handlebar

Matte black aluminium handlebar  
Available for quadriplegics and hemiplegics

### Brakes

Avid BB7 mechanical brakes  
Brake levers with parking brake  
Gaffer Wave 180 mm rotor disc

### Wheel

18" x 2.40" exclusive ultra-grip tyre  
18" black aluminium double-wall rim

### Equipment

700-lumen front light with position light  
Dual LED tail lights on the stand frame  
All-in-one LCD screen with cyclo computer and battery gauge  
USB charging port  
Horn  
BATEC ACOPLA support  
BATEC ASA  
Removable QR weights

### Weight

15,9 Kg (without battery)

## BATEC SCRAMBLER



### Maximum speed

30 Km/h

### Autonomy

22 km \* with a 280 Wh battery  
50 km \* with a 678 Wh battery

### Motor

300 RPM high-torque brushless motor  
Nominal power: 1200 W  
Peak power: 1300 W  
Reverse gear

### Battery and charger

2 options: 36/48 V - 280 Wh or 48 V - 678 Wh  
3A Charger

### Frame

7005 T6 Aluminium  
1.1/8 FSA Orbit Mx Black steering  
Removable right dropout  
Stand frame with suspension

### Handlebar

Matte black aluminium handlebar  
Available for quadriplegics and hemiplegics

### Brakes

Avid BB7 mechanical brakes  
Brake levers with parking brake  
Avid G2 203-mm rotor disc

### Wheel

19" x 2.75" ultra-grip tyre  
19" black aluminium double-wall rim

### Equipment

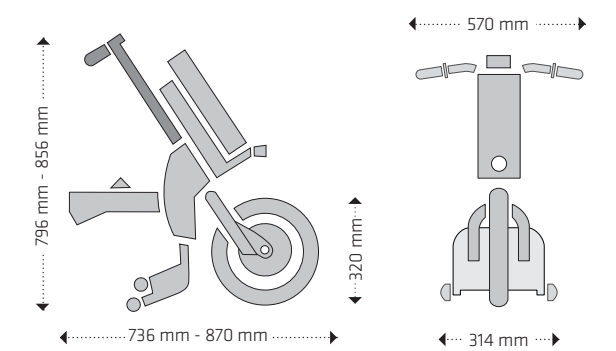
1400-lumen double front light with position light  
Dual LED tail lights on the stand frame  
All-in-one LCD screen with cyclo computer and battery gauge  
USB charging port  
Horn  
BATEC ACOPLA support  
BATEC ASA  
Removable QR weights

### Weight

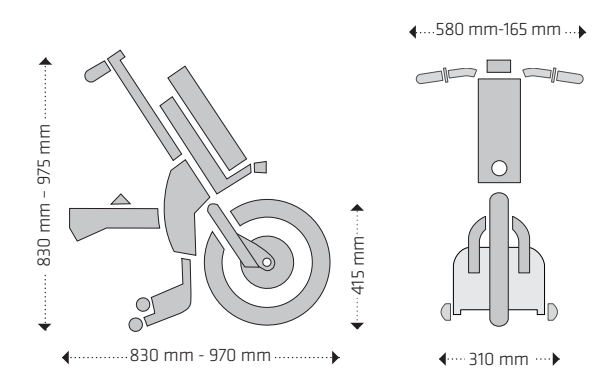
16,7 Kg (without battery)

## MEASURES

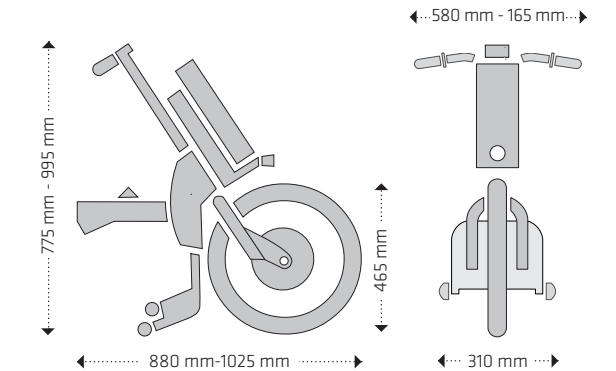
### MINI 2



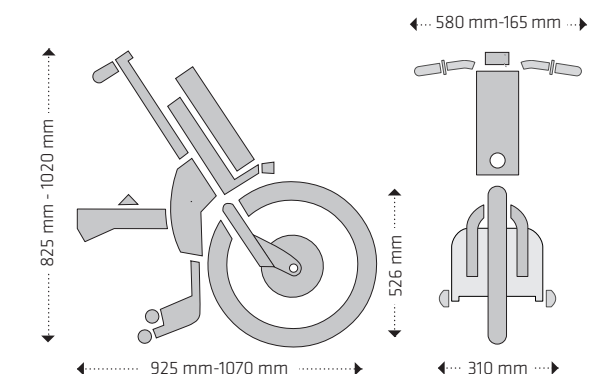
### MINI



### ELECTRIC 2 / RAPID 2



### SCRAMBLER



\* Autonomy calculated under the following conditions: 75-kg user, ultra-light wheelchair, flat terrain, no wind and steady speed of 15 km/h. May vary ±20% depending on the battery. Number/version: MM-006/8.0