

The ultimate mobility tool

Batec handbikes are a comprehensive solution to your mobility problems:

- ✓ Go from reduced to **augmented mobility**; from needing help to being **independent** and **proactive**.
- ✓ Get a **2 in 1**, without giving up your manual wheelchair.
- ✓ **Overcome obstacles** and **drive over bumpy terrains**.
- ✓ Attach our handbikes **in just seconds** and **with no need for transfers**.
- ✓ Also available for **quadriplegics** and **hemiplegics**.

You CAN get used to being in a **wheelchair**



But not to giving up on

LIFE

www.batec-mobility.com



Distributed in Canada by
49 Bespoke Inc.
51 Caldari Road Units 6-7B,
Concord, Ontario L4K 4G3
www.49bespoke.com
Ph: +1.866.827.4548
Fax: +1.877.731.7745
Email: 49@49bespoke.com



BATEC
MOBILITY



BATEC MINI

the little big Batec

BATEC MINI, the little big Batec

The **BATEC MINI** is our most compact handbike. Designed to be small without losing a single bit of the quality and reliability of the **Batec** handbikes, it incorporates state-of-the-art components in its standard equipment that will make it easier for you to enjoy your mobility.



All-in-one LCD screen with gear selector.



16" wheel, ultra-grip tyre and aluminium double-wall rim.



250 RPM 900W high torque brushless motor with reverse gear. Maximum speed 20 Km/h.



Avid BB5 mechanical brakes, aluminium levers and parking brake.



700-lumen front light with position lights / high beam options. Dual LED tall light son the stand frame.



Horn and USB port.



Removable right dropout for easy inner tube or tyre change.



As optional accessory, this 4-kg weight will give you extra traction so nothing can stop you, even on the steepest hills.



Autonomy of 22 km * with a 36v - 280 Wh battery. Autonomy of 40 km * with a 36v - 522 Wh battery. 4A Charger.



Matte black aluminium handlebar with folding system for convenience.

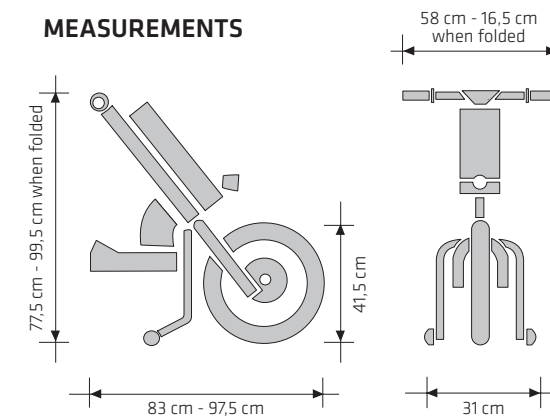


G&B handlebar option without levers for quadriplegics.



Handlebar option with right or left throttle and Monolever brakes for hemiplegics.

MEASUREMENTS



COLOURS



* Autonomy calculated under the following conditions: 75 - kg user, ultra-light wheelchair, flat terrain, no wind and steady speed of 15 km/h. May vary +/- 20% depending on the battery. Number/version: MM-007/4.0