



BATEC MINI 2

\$6,999.00 MSRP



Install parts included along with a battery.

* Dealers may charge extra for installation and prices may vary for Hemi or quad setups.

BATEC MINI 2, the minimum expression of Batec, the maximum expression of you

BATEC MINI 2 is compact, practical, and versatile. Its simple folding system makes it easy to carry or put away in small spaces. And all without sacrificing the quality you've come to expect from a Batec.

Available in para, quad and hemi setups in Graphite.



51 Caldari Rd, Units 6-7B
Concord, ON, L4K 4G3



t. (416) 661-4499
e. 49@49bespoke.com

49BESPOKE.COM

BATEC MINI 2



The minimum expression of Batec,
the maximum expression of you.



COLOUR

Colour **Graphite**

SPEED

3 speeds: 6 km/h - 15 km/h - 20 km/h

AUTONOMY

28 km (*) with 280-Wh battery

52 km (*) with 522-Wh battery

MOTOR

Brushless 350 RPM motor

Nominal power: 350 W

Peak power: 600 W

Reverse gear

BATTERY AND CHARGER

2 options: 36V - 280 Wh or 36V - 522 Wh

Delivered with fast 4 Ah charger

FRAME

Aluminium 7005 T6/ Aluminium 6061 T6

Folding stem

Adjustable in 3 directions, to adapt to the user's needs.

Removable dropout to change the tyre.

Stand frame.

1.1/8 black headset

HANDLEBAR

Folding handlebar in matte black aluminium.

Available for quadriplegics and hemiplegics.

BRAKES

Avid BB5 mechanical brakes.

Aluminium levers with parking brake.

Avid G2 140 mm rotor disc

WHEEL

Ultra-grip 12" x 2.40" tyre.

12" cast aluminium rim.

STANDARD FEATURES

100-lumen front light with running lamp.

Dual LED tail light on the stand frame.

All-in-one LCD screen.

USB port.

Horn

BATEC ACOPLA support

Transport handle special for BATEC MINI 2

WEIGHT

12.9 kg (without battery).

COMPATIBLE ACCESSORIES

BATEC BOSSA rucksack

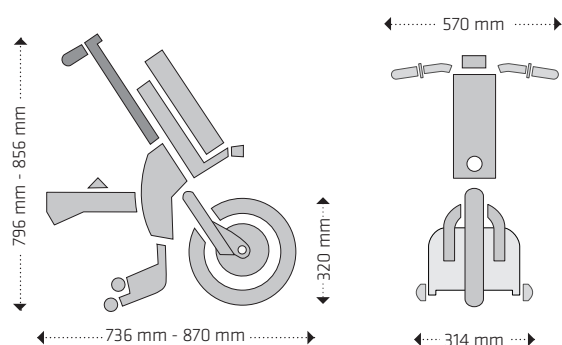
BATEC RODES off-road wheels

Smartphone holder

BATEC EXCURSION and 4 kg weight*

Check for installation of BATEC ACOPLA

DIMENSIONS FOLDED OUT



DIMENSIONS FOLDED IN

