



# BATEC MINI 2

**\$6,999.00 MSRP**



Install parts included along with a battery.

\* Dealers may charge extra for installation and prices may vary for Hemi or quad setups.

BATEC MINI 2, the minimum expression of Batec, the maximum expression of you

BATEC MINI 2 is compact, practical, and versatile. Its simple folding system makes it easy to carry or put away in small spaces. And all without sacrificing the quality you've come to expect from a Batec.

Available in para, quad and hemi setups in Graphite.



137 Buttermill avenue  
Concord, ON, L4K 3X5



t. (416) 661-4499  
e. 49@49bespoke.com

**49**BESPOKE.COM

# BATEC MINI 2



The minimum expression of Batec,  
the maximum expression of you.



## COLOUR

Colour **Graphite**

## SPEED

**3 speeds: 6 km/h - 15 km/h - 20 km/h**

## AUTONOMY

28 km (\*) with 280-Wh battery

52 km (\*) with 522-Wh battery

## MOTOR

**Brushless 350 RPM motor**

Nominal power: 350 W

Peak power: 600 W

**Reverse gear**

## BATTERY AND CHARGER

2 options: 36V - 280 Wh or 36V - 522 Wh

Delivered with fast 4 Ah charger

## FRAME

**Aluminium 7005 T6/ Aluminium 6061 T6**

**Folding stem**

**Adjustable in 3 directions**, to adapt to the user's needs.

Removable dropout to change the tyre.

Stand frame.

1.1/8 black headset

## HANDLEBAR

**Folding handlebar in matte black aluminium.**

Available for quadriplegics and hemiplegics.

## BRAKES

Avid BB5 mechanical brakes.

Aluminium levers with parking brake.

Avid G2 140 mm rotor disc

## WHEEL

Ultra-grip 12" x 2.40" tyre.

12" cast aluminium rim.

## STANDARD FEATURES

100-lumen front light with running lamp.

Dual LED tail light on the stand frame.

**All-in-one LCD screen.**

USB port.

Horn

BATEC ACOPLA support

Transport handle special for BATEC MINI 2

## WEIGHT

**12.9 kg** (without battery).

## COMPATIBLE ACCESSORIES

BATEC BOSSA rucksack

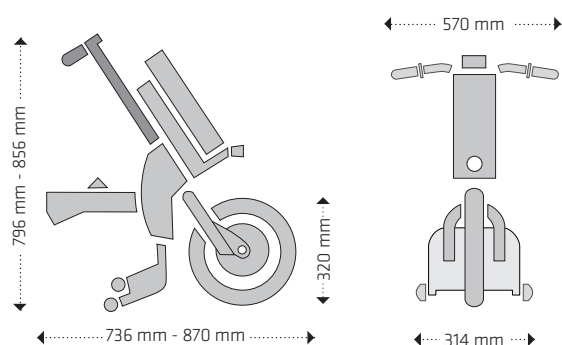
BATEC RODES off-road wheels

Smartphone holder

BATEC EXCURSION and 4 kg weight\*

Check for installation of BATEC ACOPLA

## DIMENSIONS FOLDED OUT



## DIMENSIONS FOLDED IN

