

Serial Number: _____

Manufacturing Date: _____/20____



49 Bespoke Inc.
 51 Caldari Road, Units 6-7B
 Concord, ON L4K 4G3, Canada
 Telephone: +1.866.827.4548
 Fax: +1.877.731.7745
 E-Mail: 49@49bespoke.com
 www.49bespoke.com



Distributor Name: _____
 Contact Name: _____

Purchase Order No: _____
 Delivery Address: _____

 Postcode: _____
 Contact Name: _____
 Telephone: _____
 Email: _____

Notes/Comments:

FOR RGK OFFICE USE ONLY

A/C No: _____		
	Who	Date
OK to Quote:		
OK to Confirm:		
Document No:	DOC	

Net Value:	\$ _____
Freight:	\$ _____
Invoice Value:	\$ _____
Payment Received:	\$ _____

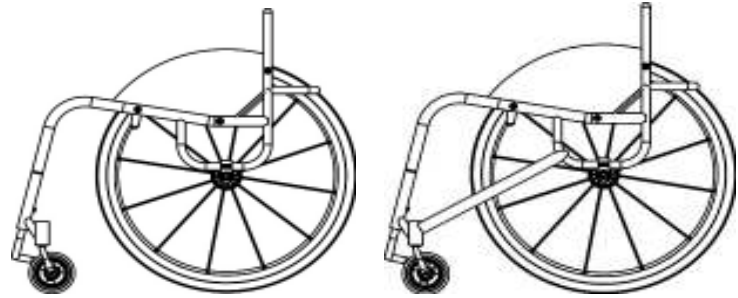
- Base Product
- Standard Configuration
- Mandatory Information
- Option with No extra cost
- Information Required for Option
- Option with Extra cost

CMSXZ011 CHROME
\$

- XA070 Open design
- XA080 Closed design (25mm seatrail tube)
- XA081 Closed design (19mm seatrail tube)

Max User Weight 125kg

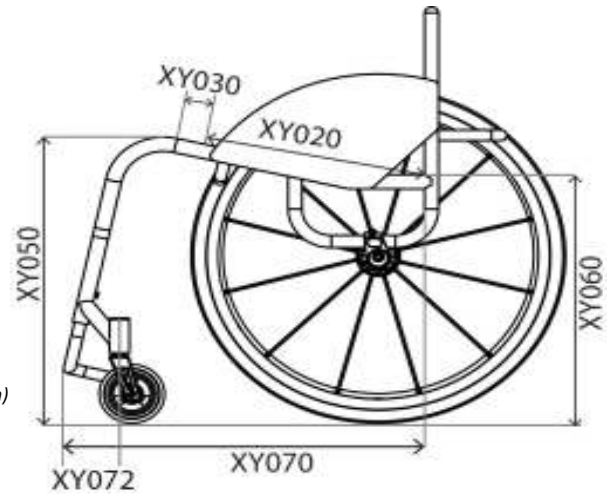
- XW010 Full CAD drawing for approval
\$
- XW011 Quick CAD drawing for approval
\$ (Basic outline of chair within 2 working days*) *Approximate time only



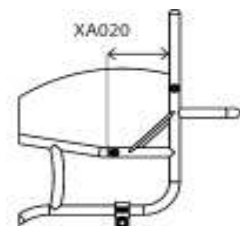
KEY FRAME MEASUREMENTS

- XY010 Seat width (*Inside of sideguards*)
 (Max - 550mm)
(Min - 250mm)
- XY020 Seat length
 (Max - 550mm)
(Min - 250mm)
- XY030 Extra seat length (*Provides additional leg support & hand grip*)
- XY050 Front frame height
 (Max - 550mm)
(Min - 380mm)
- XY060 Rear frame height
 (Max - 550mm)
(Min - 360mm)
- XY070 Frame length
 (Min XY020 + XY030 + 110mm)
- XY072 Castor position

 Optimise measurements



- XA020 Ergonomic seat
\$
 Specify length (Standard = 120mm)



FRONT FRAME AND FOOTREST

Front Frame Options

- XY085 Seat taper design
\$

Specify width

mm

(When combined with XY091, dimension is inbetween the centre of the main bends)



- XY091 Parallel taper design

Specify width

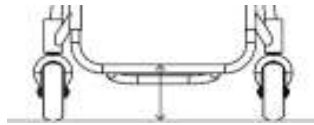
mm

(When combined with XY085, Dimensions must be smaller)

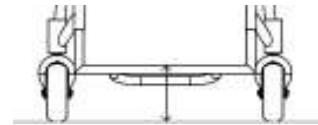


Footrest Design (Choose One)

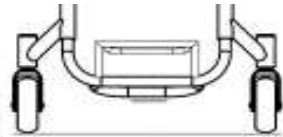
- XY100 Round design



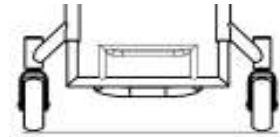
- XY105 Square design



- XB200 High level footrest (Only with XB010, CMSXB080 & XB150)
\$



- XB200 High level footrest (Only with XB010, CMSXB080 & XB150)
\$



Footrest Individual Measurements

- XY115 Front footrest height



mm

- XY120 Rear footrest height



mm

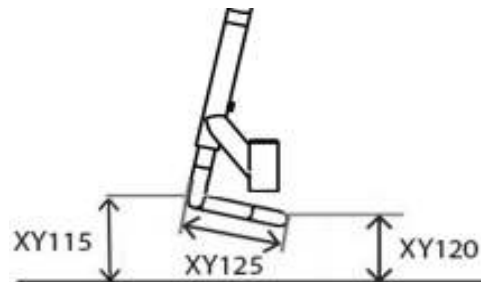
(Std = 20 lower than front height)

- XY125 Footrest length



mm

(Std = 100mm)



Footrest Style (Choose One)

- XB010 Tubular aluminium footrest (Height adjustable)

- XB030 Flip up plastic footrest (Angle/height adjustable) (with closed frame only)
\$

- XB070 Angle adjust aluminium footrest (Angle/height adjustable)
\$

- XB150 Heavy duty tubular footrest (Height adjustable)
\$

- CMSXB080 Tubular footrest welded into frame (No height adjustment)
\$

Footrest Cover

- XB050 Carbon fibre cover (Not XB070 & XY030)
\$

- XB170 Aluminium cover (Not XB070 & XB030)
\$

- XB040 Plastic Cover (Not XB070 & XY030)
\$

- XB165 Rubber grip tape (3M Safety walk)(not with XB030)
\$

CASTOR WHEELS, FORKS & WHEEL LOCKS

Castor Wheels

3"

- XC150 Froglegs Aluminium centre 3"x1.4"
\$ (Silver hub and black urethane tyre)

4"

- XC060 Soft roll 4"x1.3"
(Black)
- XC110 Froglegs Aluminium centre 4"x1"
\$ (Silver hub and black urethane tyre)
- XC130 Froglegs Aluminium centre 4"x1.4"
\$ (choose colour below)



- | | | | |
|--|--|--|---|
| <input type="checkbox"/> Silver hub & black tyre (Std) | <input type="checkbox"/> Black hub & blue tyre | <input type="checkbox"/> Purple hub & black tyre | <input type="checkbox"/> Silver hub & blue tyre |
| <input type="checkbox"/> Black hub & black tyre | <input type="checkbox"/> Red hub & black tyre | <input type="checkbox"/> Gold hub & black tyre | <input type="checkbox"/> Silver hub & red tyre |
| <input type="checkbox"/> Black hub & red tyre | <input type="checkbox"/> Blue hub & black tyre | <input type="checkbox"/> Green hub & black tyre | |

5"

- | | |
|---|--|
| <input type="checkbox"/> XC070 Soft roll 5"x1.3"
(Black) | <input type="radio"/> XC120 Froglegs Aluminium centre 5"x1"
\$ (Silver hub and black urethane tyre) |
| <input type="radio"/> XC100 Pneumatic Aluminium centre 5"x1"
\$ (Grey) | <input type="radio"/> XC140 Froglegs Aluminium centre 5"x1.4"
\$ (Silver hub and black urethane tyre) |

6"

- XC145 Frog Legs aluminium centre 6"x1.4"
\$ (Silver hub and black urethane tyre)

Castor Forks

- | | |
|--|---|
| <input type="checkbox"/> CMSXC240 Extruded aluminium castor fork
(Standard when no option selected) | <input type="radio"/> XC210 Froglegs suspension castor
\$ fork |
| <input type="checkbox"/> CMSXC190 Low ride castor fork
\$ | <input type="radio"/> XC250 Welded steel castor fork (Heavy duty)
\$ |
- Black only Black Silver Black only

Castor Pin Width

- XY330 Castor pin width
- mm
- Optimise measurements
(Minimum width for clear castor rotation and maximum wheelbase length)



Wheel Lock Options (Choose one)

- | | |
|---|--|
| <input type="checkbox"/> XD020 Underseat Scissor | <input type="checkbox"/> XD050 Push to lock |
| <input type="radio"/> XD030 Compact scissor
\$ | <input type="radio"/> XD046 Out Front push to lock
\$ |
| <input type="radio"/> XD035 Compact scissor with lightweight fixing
\$ (Only with fixed centre of gravity) | <input type="checkbox"/> XD010 Omit wheel locks |
| <input type="radio"/> XD045 Out Front Compact scissor
\$ | |

Choose one castor option only

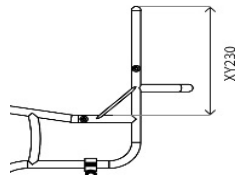
SIDEGUARDS AND ARMRESTS

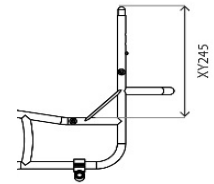
Sideguard		Sideguard with Fender	
Aluminium Options		Aluminium Options	
<input type="radio"/>	XE030 Screw on aluminium \$	<input type="radio"/>	XE040 Screw on aluminium with fender \$
<input type="radio"/>	XE080 Lift out aluminium \$	<input type="radio"/>	XE090 Lift out aluminium with fender \$
<input type="radio"/>	XE180 Flip back aluminium \$	<input type="radio"/>	XE190 Flip back aluminium with fender \$
Carbon Fibre Options		Carbon Fibre Options	
<input type="radio"/>	XE050 Screw on carbon fibre \$	<input type="radio"/>	XE060 Screw on carbon fibre with fender \$
<input type="radio"/>	XE100 Lift out carbon fibre \$	<input type="radio"/>	XE110 Lift out carbon fibre with fender \$
<input type="radio"/>	XE200 Flip back carbon fibre \$	<input type="radio"/>	XE210 Flip back carbon fibre with fender \$
ABS Plastic Options		Sideguard Measurements	
<input type="radio"/>	XE070 Screw on ABS plastic \$	Fender height	
<input type="radio"/>	XE120 Lift out ABS plastic \$	<input type="checkbox"/>	10mm above tyre <i>(Standard)</i>
Welded Options		<input type="checkbox"/>	Individual above tyre <i>(Min = 10mm)</i>
<input type="radio"/>	CMSXE220 Welded with 6mm bead \$	<input type="checkbox"/>	mm
<input type="radio"/>	CMSXE240 Welded sport \$ <i>(Extra strong)</i>	<input type="checkbox"/>	mm
Armrest Options		Fender position	
<input type="radio"/>	XF010 Lift out armrest with plastic sideguard \$ <i>(Indicate fixed height)</i>	<input type="checkbox"/>	Centre of tyre <i>(Standard if no option selected)</i>
<input type="radio"/>	XF020 Lift out armrest with Aluminium sideguard \$ <i>(Indicate fixed height)</i>	<input type="checkbox"/>	Outside of tyre
<input type="checkbox"/>	Height <i>(Top of seatrail to top of armrest)</i> mm	Choose optimised or individual measurements	
Sideguard Measurements		Choose optimised or individual measurements	
Optimised measurements			
<input type="checkbox"/>	25mm above tyre <i>(Follow tyre)</i>		
<input type="checkbox"/>	Individual above tyre <i>(Follow tyre)</i>		
<input type="checkbox"/>	Level with tyre <i>(Follow tyre)</i>		
Individual measurements		Choose optimised or individual measurements	
Sideguard length			
mm			
Sideguard height			
mm			

BACKREST

Backrest Height - Fixed or Adjustable (Choose One)

 XY230 Backrest height fixed
 Specify height


 XY245 Adjustable height backrest
 \$ (+/-25mm)
 Specify height

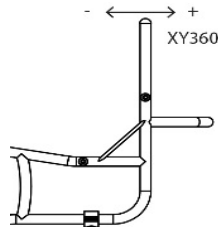
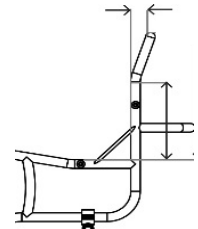


Backrest Design - Fixed or Folding (Choose One)

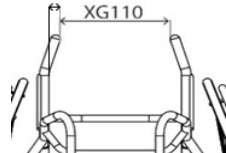
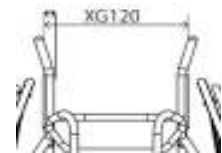
 XG010 Fixed backrest (Non-folding)

 CMSXG020 Backrest folding with 2 position snap lock and angle adjust (± 5 Deg)

Ergonomics - Rearward Positioning (Choose One)

 XY360 Backrest angle
 -5 -3 0 +3 +5
 Individual
 (Max -10/+20 Deg)

 XG100 Ergonomic backrest
 \$
 Vertical height
 Rearward position


Ergonomics - Lateral Positioning (Choose One)

 XG110 Inward taper (inside of backrest posts)
 \$
 Specify width or per side

 XG120 Outward flare (inside of backrest posts)
 \$
 Specify width or per side


Push handle Options

 XG070 Screw in push handles (N/A with XY245)

 XG090 Stroller push handles height adjustable

 XG080 Flip down push handles (N/A with XY245)

 Height from floor
 XG085 Flip down push handles height adjustable (N/A with XY245)

 Optimise (1000mm from floor)

Backrest Options

 XG040 Heavy duty backrest upgrade (Recommended for hand cycling) (Not with XY245)

 XG130 Extra deep brace bar (Recommended for JAY backs) (Std - 90mm)

 Depth

ILSA Backrest Options

 XG140 Integrated lateral support \$

 A - Left

 A - Right

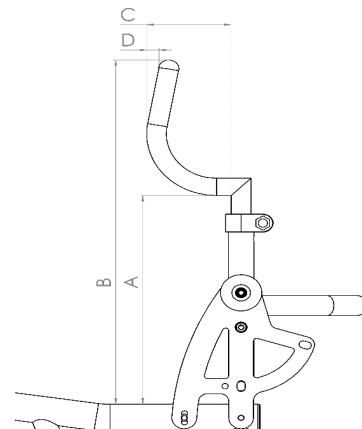
 B - Left

 B - Right

 C - Left

 C - Right

 D - Left

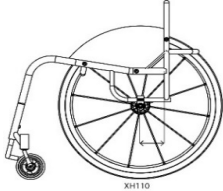
 D - Right


CAMBER BAR

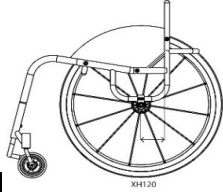
Centre of gravity - Choose one

Adjustable Centre of Gravity

XH110 Square back adjustable centre of gravity
(25-150mm)



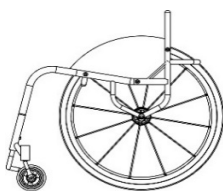
XH120 Round back adjustable centre of gravity
(60-150mm)



Centre of gravity - Choose one

Fixed Centre of Gravity

CMSXH090 V-style fixed centre of gravity
(25-125mm)



Specify Camber Angle

XY390 Camber angle

Specify Camber Angle

XY390 Camber angle

Camber Bar Options

XH030 Frog Legs suspension camber bar
\$

XH040 Handbike camber bar fixed
\$

Camber angle (Handbike camber bar)

0 5

Castor height from floor for handbike fitting
(Standard 30mm if not indicated)

30 50

Camber Bar Options

XH040 Handbike camber bar fixed
\$

Camber angle (Handbike camber bar)

0 5

Castor height from floor for handbike fitting
(Standard 30mm if not indicated)

30 50

Anti-Tip Options

XJ010 Anti tip swingaway left side (Only with square back frame. Not with XH040)
\$

XJ020 Anti tip swingaway right side (Only with square back frame. Not with XH040)
\$

XJ100 Single sport anti tip (centre mounted)
\$

REAR WHEELS			
Wheel Size			
<input type="checkbox"/> XY420 24" Wheels	<input type="checkbox"/> XY430 25" Wheels	<input type="checkbox"/> XY440 26" Wheels	
Wheel Gap			
<input checked="" type="checkbox"/> XY460 Rear wheel gap <div style="display: flex; align-items: center; gap: 10px;"> <div style="text-align: center;"> <input type="checkbox"/> 15 mm </div> <div style="text-align: center;"> <input type="checkbox"/> 20 mm </div> <div style="text-align: center;"> <input type="checkbox"/> 25 mm </div> </div>			
Wheel Options (Choose one)			
<input type="checkbox"/> XK010 Fusion 16 spoke <i>(Silver Hub, black spokes)</i>	<input type="radio"/> XK320 Spinergy XLX 12 spoke, cross/radial spoked \$		
<input type="radio"/> XK050 Spinergy LX 12 spoke \$	<input type="radio"/> XK060 Spinergy SPOX 18 spoke \$		
<input type="radio"/> XK150 Spinergy CLX 18 carbon blade spoke \$	<input type="radio"/> XK070 Spinergy BLXL 18 blade spoke \$		
Spinergy Colour Options:			
<input type="checkbox"/> Black / Silver hub	<input type="checkbox"/> White / Black hub	<input type="radio"/> XK180 Custom spoke design \$ <i>(Specify colour)</i> Inside: _____ Outside: _____	
<input type="checkbox"/> Red / Black hub	<input type="checkbox"/> Blue / Black hub		
<input type="checkbox"/> Yellow / Black hub	<input type="checkbox"/> Green / Black hub		
<input type="checkbox"/> Pink / Black hub	<input type="checkbox"/> Orange / Black hub		
<input type="checkbox"/> Purple / Black hub			
Custom Anodise Options			
<input type="radio"/> XK190 Black hub \$	<input type="radio"/> XK200 Silver hub \$	<input type="radio"/> XK201 Red hub/rims <i>(LX, XLX & BLXL only)</i> \$	
<input type="radio"/> XK202 Purple hub/rims <i>(LX, XLX & BLXL only)</i> \$	<input type="radio"/> XK203 Blue hub/rims <i>(LX, XLX & BLXL only)</i> \$	<input type="radio"/> XK204 Custom hub/rims Select colour: _____ \$	
Handrim Position			
<input type="checkbox"/> XY480 Handrim set narrow	<input type="checkbox"/> XY485 Handrim set wide		
<input type="radio"/> XL090 Remove excess mounting tabs <i>(recommended for small wheel gaps)</i> \$			
Handrim Options			
<input type="checkbox"/> XL010 Aluminium hard anodised 6 tab	<input type="radio"/> XL040 Titanium 6 tab \$		
<input type="radio"/> XL030 Surge LT 6 tab \$	<input type="radio"/> XL050 Stainless steel 6 tab \$		
<input type="radio"/> XL020 Tetra grip 6 tab \$	<input type="radio"/> XL140 Ergo gripp 6 tab wide \$		
<input type="radio"/> XL100 Para grip 6 tab \$			
Tyre Options			
<input type="checkbox"/> XM010 Kenda	<input checked="" type="checkbox"/> Grey <i>(std)</i>	<input type="checkbox"/> Blue	<input type="checkbox"/> Red
<input type="radio"/> XM130 Kenda black \$			
<input type="radio"/> XM020 Schwalbe Marathon Plus \$	<input type="radio"/> XM060 Schwalbe One <i>(24", 25" only)</i> \$		
<input type="radio"/> XM040 Shox solid airless <i>(Black) (24", 25" only)</i> \$	<input type="radio"/> XM050 Kenda K885 mountain bike tyre <i>(24", 25" only)</i> \$		
Inner Tube Valve Options			
<input type="checkbox"/> XY500 Schraeder inner tube valve <i>(Standard if no option selected)</i>	<input type="checkbox"/> XY490 Presta inner tube valve		
Wheel Accessories			
<input type="radio"/> XK220 Titanium 130mm quick release axle pins <i>(pair)</i> <i>(N/A with XK010 & XK070)</i> \$	<input type="radio"/> XK300 Offroad wheel set 22" rim with handrim, MTB tyre and axle pins <i>(Replaces 24" wheel with XM010)</i> \$		
<input type="radio"/> XK240 Quad release axle nuts <i>(pair)</i> \$	<input type="radio"/> XK310 Offroad wheel set 24" rim with handrim, MTB tyre and axle pins <i>(Replaces 25" wheel with XM010)</i> \$		

FRAME FINISH OPTIONS

Frame

Components (Footrest, camber bar, sideguards)

 XN010 Powder coated frame

 XN150 Powder coated components

- | Frame | Comp. | <u>Gloss</u> |
|--------------------------|--------------------------|------------------------|
| <input type="checkbox"/> | <input type="checkbox"/> | Black gloss 103 |
| <input type="checkbox"/> | <input type="checkbox"/> | White gloss 100 |
| <input type="checkbox"/> | <input type="checkbox"/> | Grey gloss 132 |
| <input type="checkbox"/> | <input type="checkbox"/> | Cream gloss 135 |
| <input type="checkbox"/> | <input type="checkbox"/> | Red gloss 108 |
| <input type="checkbox"/> | <input type="checkbox"/> | Yellow gloss 120 |
| <input type="checkbox"/> | <input type="checkbox"/> | Forest green gloss 143 |
| <input type="checkbox"/> | <input type="checkbox"/> | Green gloss 107 |
| <input type="checkbox"/> | <input type="checkbox"/> | Dark blue gloss 151 |
| <input type="checkbox"/> | <input type="checkbox"/> | Royal blue gloss 154 |
| <input type="checkbox"/> | <input type="checkbox"/> | Blue gloss 174 |
| <input type="checkbox"/> | <input type="checkbox"/> | Duckegg blue gloss 141 |
| <input type="checkbox"/> | <input type="checkbox"/> | Pink gloss 188 |
| <input type="checkbox"/> | <input type="checkbox"/> | Orange gloss 180 |
| <input type="checkbox"/> | <input type="checkbox"/> | Purple gloss 157 |

- | Frame | Comp. | <u>Matt</u> |
|--------------------------|--------------------------|---------------------|
| <input type="checkbox"/> | <input type="checkbox"/> | Black matt 105 |
| <input type="checkbox"/> | <input type="checkbox"/> | White matt 101 |
| <input type="checkbox"/> | <input type="checkbox"/> | Grey matt 131 |
| <input type="checkbox"/> | <input type="checkbox"/> | Light grey matt 133 |
| <input type="checkbox"/> | <input type="checkbox"/> | Navy blue matt 152 |

- | Frame | Comp. | <u>Special</u> |
|--------------------------|--------------------------|-------------------------|
| <input type="checkbox"/> | <input type="checkbox"/> | Chrome Mirror 300 |
| <input type="checkbox"/> | <input type="checkbox"/> | Sparkle silver 170 |
| <input type="checkbox"/> | <input type="checkbox"/> | Metallic black matt 104 |
| <input type="checkbox"/> | <input type="checkbox"/> | Metallic grey matt 130 |
| <input type="checkbox"/> | <input type="checkbox"/> | Black sandpaper 201 |
| <input type="checkbox"/> | <input type="checkbox"/> | Grey sandpaper 202 |
| <input type="checkbox"/> | <input type="checkbox"/> | White sandpaper 200 |

Custom

 XN200 Custom paint colour
\$

Frame	Comp.	Select colour/RAL:
<input type="checkbox"/>	<input type="checkbox"/>	

UPHOLSTERY

Seat Uphostery

 XP040 Seat sling adjustable tension with straps

 XR050 Carbon fibre seat plate
\$

Backrest Upholstery

 XP030 Nylon backrest strap adjustable

 CMSXP190 Airtech backrest strap adjustable
\$

 XP060 Backrest upgrade to full leather
\$ (select colour)

 XP070 Backrest upgrade to leather corners
\$ (not with flip down push handles (select colour))

 Black (Std)

 Red

 Black (Std)

 Red

Backrest Uphostery Stitching Options (Only with CMSXP190)

 Silver
(Standard if not indicated)

 Black

 Blue

 Red

 Light blue

 Purple

Backrest Uphostery Logo Options (Only with CMSXP190)

 Silver
(Standard if not indicated)

 Black

 Blue

 Red

 Light blue

 Purple

Backrest Accessories

 XP110 Backrest with zip pocket
\$

 XP170 Individual backrest embroidery
\$ (Please provide .jpeg file and position)

CUSHION

- XP080 Cushion foam with nylon cover
\$ (select density and size below)
- Soft (CMS040) Medium (CMS050) Hard (9lb recon)
- 50mm 75mm 100mm

Cushion cover options

- XP090 Air Lite cushion cover
\$ (Black)
- XP100 Leather cushion cover
\$ (select colour below)
- Black (std) Red Grey

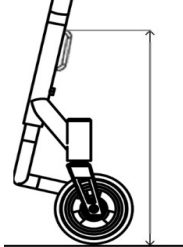
Jay Cushion

- XP250 JAY Extreme Active fluid pad
\$ (Price subject to change dependant on size)
- XP251 JAY Easy Visco
\$ (Price subject to change dependant on size)

Other Jay cushion, please specify code, cost, size and description:

FRAME OPTIONS

- XR060 Welded calf strap mounting loops
\$ (To locate calf strap on front frame)
- Specify height from floor
- Optimise measurements



ACCESSORIES

- XR080 Frontwheel assembly
\$ (Only with XB010, TGAXB080, XB150)

(Office use only)

Frontwheel serial number:

- XP420 Frame protectors nylon with velcro fasten
\$
- XR190 Phoenix Unstoppable gear bag
\$
- XR200 Rucksack with RGK logo (Black)
\$
- XR010 Seat pouch velcro attach (Black)
\$
- XR020 Underseat large storage bag (Black)
\$
- XR090 Tool kit
- XS060 Calf strap

