



49 Bespoke Inc. 51 Caldari Road, Units 6-7B  
 Concord, ON  
 L4K 4G3, Canada

To place order or request quotation: [csrcanada@sunmed.com](mailto:csrcanada@sunmed.com)

Telephone: +1.866.827.4548  
 Fax: +1.877.731.7745

Distributor Name: \_\_\_\_\_

Contact Name: \_\_\_\_\_

Address: \_\_\_\_\_

Postcode: \_\_\_\_\_

Country: \_\_\_\_\_

Telephone: \_\_\_\_\_

Email: \_\_\_\_\_

Dealers Name: \_\_\_\_\_

Client's Name: \_\_\_\_\_

Client's Weight: \_\_\_\_\_

Client's Height: \_\_\_\_\_

Client's Disability: \_\_\_\_\_

Purchase Order No: \_\_\_\_\_

Delivery Address: \_\_\_\_\_

Postcode: \_\_\_\_\_

Contact Name: \_\_\_\_\_

Telephone: \_\_\_\_\_

Email: \_\_\_\_\_

Notes/Comments:

Do Not Use for Specification Information

**FOR RGK OFFICE USE ONLY**

Distributor: \_\_\_\_\_

A/C No: \_\_\_\_\_

Net Value: \$ \_\_\_\_\_

Freight: \$ \_\_\_\_\_

Invoice Value: \$ \_\_\_\_\_

Payment Received: \$ \_\_\_\_\_

	Who	Date
OK to Quote:		
OK to Confirm:		
Document No:	DOC	

<input checked="" type="checkbox"/> Base Product	Mandatory Information	Information Required for Option
<input checked="" type="checkbox"/> Standard Configuration	<input type="checkbox"/> Option with No Extra Cost	<input type="checkbox"/> Option with Extra Cost

<ul style="list-style-type: none"> <li><input checked="" type="checkbox"/> GSAXZ010 GRAND SLAM ELITE A7020 \$ 5,900.00</li> <li><input type="checkbox"/> XR070 Accessory Carbon Extreme (CX) seat system \$ 4,300.00</li> </ul> <p>Max User Weight 125kg</p>	
--	--

<input type="checkbox"/> XW010 NC
--------------------------------------

### KEY FRAME MEASUREMENTS

<ul style="list-style-type: none"> <li><input checked="" type="checkbox"/> XY010 Seat width (<i>Inside of sideguards</i>)  <input type="text" value="mm"/> (Max - 500mm) (Min - 250mm)</li> <li><input checked="" type="checkbox"/> XY020 Seat length  <input type="text" value="mm"/> (Max - 500mm) (Min - 250mm)</li> <li><input type="checkbox"/> XY030 Seat frame additional length (<i>Provides additional leg support &amp; hand grip</i>)  <input type="text" value="mm"/></li> <li><input checked="" type="checkbox"/> XY050 Front frame height  <input type="text" value="mm"/> (Max - 630mm) (Min - 360mm)</li> <li><input checked="" type="checkbox"/> XY060 Rear frame height  <input type="text" value="mm"/> (Max - 630mm) (Min - 360mm)</li> <li><input checked="" type="checkbox"/> XY070 Frame length  <input type="text" value="mm"/> (Min XY020 + XY030 + 110mm)</li> <li><input type="checkbox"/> XA020 Frame ergonomic seat \$ 93.00  Specify length <input type="text" value="mm"/> (Standard = 120mm)</li> </ul>	    
---	------------------

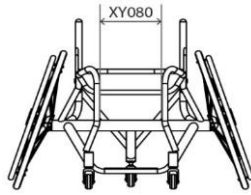
## FRONT FRAME AND FOOTREST

### Front Frame Options (Choose One)

- XY080 Front seat taper design

**i** Specify width  mm

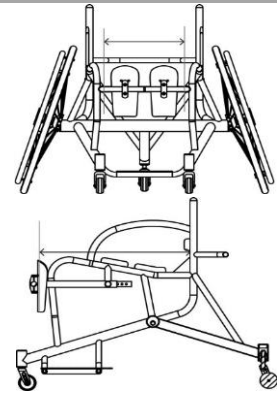
*(Optional, to provide additional leg support / positioning)*



- XA200 Frame tennis knee support system

**i** Specify width  mm  
*(Minimum width 210mm)*

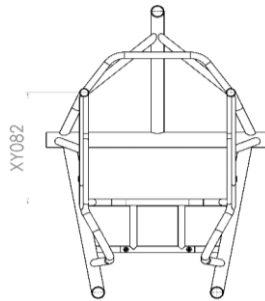
Tubes on outside  
**i** Specify length  mm



- XY082 Front seat taper position  
\$ 70.00

**i** Specify measurement  mm

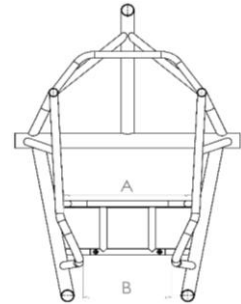
*(Measurement not smaller than sideguard length)*



- XA131 Frame V seat and taper design  
\$ 255.00

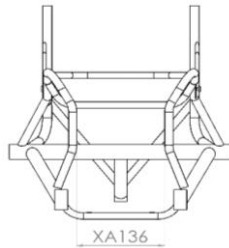
**i** Specify width at front of seat (A)  mm

**i** Specify taper width (B)  mm



- XA136 Frame front seat parallel design  
\$ 70.00

**i** Specify width  mm

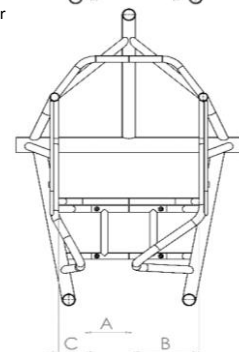


- XA135 Frame asymmetrical taper design  
\$ 205.00

**i** Specify width (A)  mm

**i** Specify left offset (B)  mm

**i** Specify right offset (C)  mm



### Seat Options

- XR040 Accessory seat plate aluminium with support tubes *(Specify length)*  
\$ 149.00

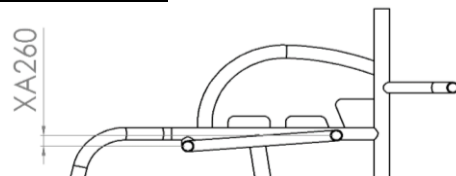
**i**  mm  
*(Standard XY020 - 20mm)*

- XR050 Accessory seat plate carbon fibre with support tubes *(Specify length)*  
\$ 371.00

**i**  mm  
*(Standard XY020 - 20mm)*

- XA260 Frame drop seat design  
\$ 170.00

**i** Specify drop  mm

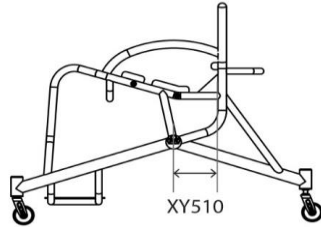


FOOTREST	
Footrest	
<p style="text-align: center; background-color: #f2f2f2; margin: 0;">Fixed Footrest</p> <p><input type="checkbox"/> GSAXB080 Footrest fixed position integrated into frame</p> <p style="text-align: center; background-color: #f2f2f2; margin: 0;">Height and Position</p> <p>Front footrest height  <input style="width: 80px;" type="text"/> mm</p> <p>Rear footrest height  <input style="width: 80px;" type="text"/> mm</p> <p>Front of footrest to rear of castor housing  <input style="width: 80px;" type="text"/> mm <i>(If not specified set at 20mm)</i></p> <p style="text-align: center; background-color: #f2f2f2; margin: 0;">Footrest Size</p> <p>Footrest plate width (Std 200mm)  <input style="width: 80px;" type="text"/> mm</p> <p>Footrest plate length (Std 250mm)  <input style="width: 80px;" type="text"/> mm</p> <p style="text-align: center; background-color: #f2f2f2; margin: 0;">Footrest Plate</p> <p><input type="checkbox"/> XB180 Footrest plate aluminium</p> <p><input type="radio"/> XB190 Footrest plate carbon fibre \$ 433.00</p> <p><input type="radio"/> XB100 Footrest ABS moulded foot tray \$ 142.00 Specify length (Std 330mm if not indicated) <input style="width: 80px;" type="text"/> mm</p> <p><input type="radio"/> GSAXB140 Footrest screw and spacer kit \$ 98.00 <i>(Allows for 25mm increase in height)</i></p>	<p style="text-align: center; background-color: #f2f2f2; margin: 0;">Adjustable Footrest</p> <p><input type="radio"/> GSAXB130 Footrest height and angle adjustable \$ 237.00 aluminium plate</p> <p style="text-align: center; background-color: #f2f2f2; margin: 0;">Height and Position</p> <p>Front footrest height  <input style="width: 80px;" type="text"/> mm</p> <p>Rear footrest height  <input style="width: 80px;" type="text"/> mm</p> <p>Front of footrest to rear of castor housing  <input style="width: 80px;" type="text"/> mm <i>(If not specified set at 20mm)</i></p> <p style="text-align: center; background-color: #f2f2f2; margin: 0;">Footrest Size (Not ABS)</p> <p>Footrest plate width (Std 200mm)  <input style="width: 80px;" type="text"/> mm</p> <p>Footrest plate length (Std 250mm)  <input style="width: 80px;" type="text"/> mm</p> <p style="text-align: center; background-color: #f2f2f2; margin: 0;">Footrest Plate</p> <p><input type="radio"/> XB100 Footrest ABS moulded foot tray \$ 142.00 Specify length (Std 330mm if not indicated) <input style="width: 80px;" type="text"/> mm</p>
Castor Pin Width	
<p>XY330 Castor pin width  <input style="width: 80px;" type="text"/> mm</p> <p><input type="checkbox"/> Optimise measurements (Footrest plate width + 50mm)</p> <div style="text-align: center; margin-top: 10px;"> <p>XY330</p> </div>	

**CAMBER BAR, WING AND ANTI-TIP**

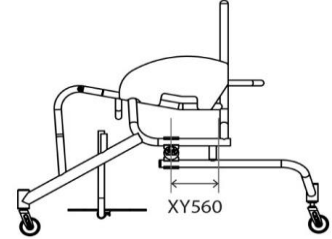
Fixed Centre of Gravity

GSAXY510 Centre of gravity fixed sport



Adjustable Centre of Gravity

GSAXY560 Centre of gravity adjustable sport  
(50-180mm range)



Specify Camber Angle

XY390 Camber angle

16  18  20  22

Anti-tip options (Choose one)

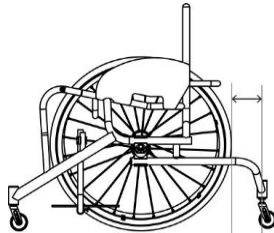
GSAXJ030 Anti tip single sport removable

GSAXJ050 Anti tip double sport removable  
\$ 220.00 (With high mount joining bar)

Specify castor pin width

Optimise measurements  
(Wide as possible - std if not indicated)

Specify distance behind rear wheel  
  
(Std 100mm if not indicated)



Specify Camber Angle

XY390 Camber angle

16  18  20  22

Anti-tip options (Choose one)

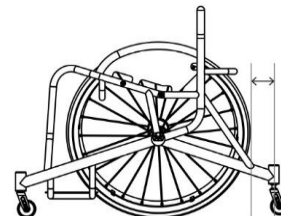
GSAXJ040 Anti tip single sport welded

GSAXJ060 Anti tip double sport welded  
\$ 520.00 (With high mount joining bar)

Specify castor pin width

Optimise measurements  
(Wide as possible - std if not indicated)

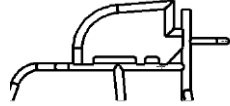
Specify distance behind rear wheel  
  
(Std 100mm if not indicated)



## SIDEGUARDS

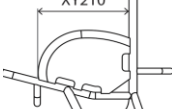
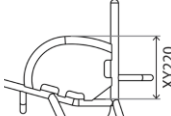
### Sideguard Style

- GSAXE240 Sideguards welded sport  
\$ 813.00
- XE310 Sideguards high design upgrade  
\$ 255.00 *(Only with option ELAXE230)*
- XE030 Sideguards screw on aluminium  
\$ 252.00
- XE050 Sideguards screw on carbon fibre  
\$ 561.00
- ELAXE250 Sideguards tubes only welded aluminium  
\$ 196.00

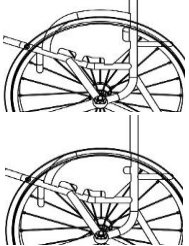


### Sideguard Measurements (Choose One)

#### Individual Measurements

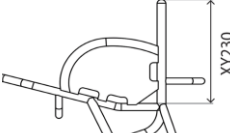
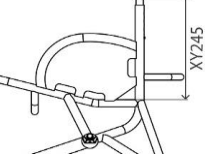
- Sideguard length  
 mm  

- Sideguard height  
 mm  


#### Optimised Measurements

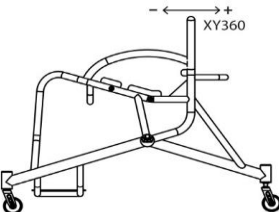
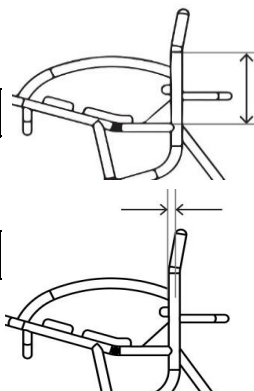
- Sideguard 25mm above tyre  
*(Follow tyre)*
  - Sideguard individual above tyre  
*(Follow tyre)*  
  mm
  - Sideguard level with tyre *(Follow tyre)*
- 

## BACKREST

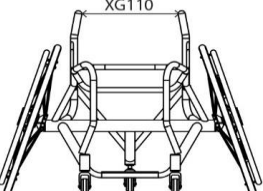
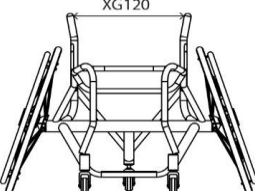
### Backrest Height (Choose One)

- XY230 Backrest height fixed  
 mm  

- XY245 Backrest height adjustable lowest position  
\$ 191.00  
  mm  


### Ergonomics Rearward Positioning (Choose One)

- XY360 Backrest angle  
-5  -3  0  +3  +5  
  Deg  
*(Max -10/+10 Deg)*  

- XG100 Backrest ergonomic design  
\$ 113.00  
Vertical height  
  mm  
Rearward position  
  mm  


### Ergonomics Lateral Positioning (Choose One)

- XG110 Backrest inward taper design  
\$ 113.00  
  mm  

- XG120 Backrest outward flare design  
\$ 113.00  
  mm  


CASTOR AND REAR WHEELS			
Castor Wheels & Forks			
<input checked="" type="checkbox"/>	XC160	Castor wheel 61mm court sport	
<input type="checkbox"/>	XC180	Castor wheel high performance bearing upgrade	\$ 108.00 (Full set)
<input checked="" type="checkbox"/>	XC200	Castor fork micro sport	
Rear Wheels			
Wheel Size			
<input type="checkbox"/>	XY420	24"	<input type="checkbox"/>
<input type="checkbox"/>	XY430	25"	<input type="checkbox"/>
<input type="checkbox"/>	XY440	26"	<input type="checkbox"/>
<input type="checkbox"/>	XY450	700C	
Wheel Gap			
<input checked="" type="checkbox"/>	XY460	Rear wheel gap	
<input type="checkbox"/>	15	<input type="checkbox"/>	<input type="checkbox"/>
<input type="checkbox"/>	20	<input type="checkbox"/>	<input type="checkbox"/>
<input type="checkbox"/>	25		
		mm	
Rear Wheel Options (Choose One)			
<input type="checkbox"/>	XK030	Wheel Sun Equalizer 36/48 spoke sport	
<input type="checkbox"/>	XK080	Wheel Spinergy SLX 24 spoke sport	\$ 778.00
<input type="checkbox"/>	XK100	Wheel Spinergy XSLX 24 spoke cross	\$ 819.00
<input type="checkbox"/>	XK330	Wheel Spinergy XSLX R10 heavy duty	\$ 1,437.00 (18 deg camber angle only)
<b>Spinergy Colour Options</b>			
<input type="checkbox"/>	Black spoke / Silver hub		<input type="checkbox"/>
<input type="checkbox"/>	Red spoke / Black hub		<input type="checkbox"/>
<input type="checkbox"/>	Yellow spoke / Black hub		<input type="checkbox"/>
<input type="checkbox"/>	Pink spoke / Black hub		<input type="checkbox"/>
<input type="checkbox"/>	White spoke / Black Hub		<input type="checkbox"/>
<input type="checkbox"/>	Blue spoke / Black hub		<input type="checkbox"/>
<input type="checkbox"/>	Green spoke / Black hub		<input type="checkbox"/>
<input type="checkbox"/>	Orange spoke / black hub		<input type="checkbox"/>
<input type="checkbox"/>	XK190	Spinergy black hub with black spokes	\$ 93.00
<input type="checkbox"/>	XK180	Spinergy spoke colour custom (Specify below)	\$ 165.00
		Colour inside	<input type="text"/>
		Colour outside	<input type="text"/>
<i>Note: Supply picture for custom designs</i>			
<input type="checkbox"/>	XK200	Spinergy silver hub with coloured spokes	\$ 98.00
<input type="checkbox"/>	XK250	Wheel transparent polycarbonate spokeguard (pair)	\$ 139.00
<input type="checkbox"/>	XK040	Wheel omit / supply without	\$ (206.00) (Specify wheel type / size / tyre)
<b>Handrim Position</b>			
<input type="checkbox"/>	XY470	Handrim set narrow (Standard if no option selected)	<input type="checkbox"/>
<input type="checkbox"/>	XY480	Handrim set wide	
Handrim Options			
<input type="checkbox"/>	XL010	Handrim aluminium hard anodised 6 tab (Standard if no option selected)	
<input type="checkbox"/>	XL020	Handrim tetra grip 6 tab	\$ 309.00
<input type="checkbox"/>	XL100	Handrim para grip 6 tab (Not with 700C)	\$ 309.00
<input type="checkbox"/>	XL040	Handrim titanium 6 tab (Not with 700C)	\$ 345.00
<input type="checkbox"/>	XL050	Handrim stainless steel 6 tab	\$ 191.00
<input type="checkbox"/>	XL070	Handrim aluminium hard anodised 12 tab (Not with 24")	\$ 113.00
<input type="checkbox"/>	XL080	Handrim set super narrow and cut off (XL040 only)	\$ 227.00
<input type="checkbox"/>	XL090	Handrim remove excess mounting tab (Narrow set only)	\$ 113.00
Tyre Options			
<input type="checkbox"/>	XM070	Tyre Kenda Kaliente sport red only (Standard if no option selected)	
<input type="checkbox"/>	XM080	Tyre Tufo MS3 sport tubeless	\$ 62.00
<input type="checkbox"/>	XM090	Tyre Tufo WS3 sport tubeless (24" only)	\$ 62.00
Inner Tube Valve Options			
<input type="checkbox"/>	XY500	Schraeder inner tube valve	
<input type="checkbox"/>	XY490	Presta inner tube valve (Standard if no option selected)	

FRAME FINISH OPTIONS	
Frame	Components
<input type="checkbox"/> XN010 Finish frame powder coated  <input type="checkbox"/> Specify Code <input type="text"/> <input type="radio"/> GSAXN030 Finish frame brushed \$ 165.00  <input type="radio"/> GSAXN050 Finish frame polished \$ 515.00	<input type="checkbox"/> XN150 Finish components powder coated (Footrest, camber bar & sideguards) (Standard black if not indicated)  <input type="checkbox"/> Specify Code <input type="text"/> <input type="radio"/> XN160 Finish components brushed \$ 93.00 (Footrest, camber bar & sideguards)  <input type="radio"/> XN170 Finish components polished \$ 165.00 (Footrest, camber bar & sideguards)
Accent Colour (Choose One)	
<input type="checkbox"/> Finish accent colour black  <input type="checkbox"/> Finish accent colour red  <input type="checkbox"/> Finish accent colour purple	<input type="checkbox"/> Finish accent colour silver  <input type="checkbox"/> Finish accent colour blue
UPHOLSTERY	
Seat Upholstery	
<input type="checkbox"/> XP040 Upholstery seat sling adjustable tension with straps (Standard if not indicated)	
Backrest Upholstery	
<input type="checkbox"/> XP030 Upholstery backrest adjustable tension with straps (Standard if not indicated)	
Backrest Upholstery Leather Options	
<input type="radio"/> XP390 Upholstery backrest air lite centre pad \$ 113.00  <input type="radio"/> XP070 Upholstery upgrade to leather corners on side wings \$ 93.00  <input type="checkbox"/> Leather colour black (Standard if not indicated)	
<input type="checkbox"/> Leather colour red	
<input type="checkbox"/> Leather colour grey	
Backrest Accessories	
<input type="radio"/> XP170 Upholstery with individual embroidery (Please provide .jpeg file and positioning) \$ 155.00	



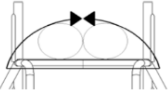
## CUSHION

- XP080 Upholstery cushion foam with nylon cover \$ 93.00
  - i** Cushion foam soft (CMS040)
  - Cushion foam medium (CMS050)
  - Cushion foam hard (9lb recon)
  - Cushion thickness 50mm
  - Cushion thickness 75mm
  - Cushion thickness 100mm
- XP340 Upholstery upgrade to cushion foam hard plastazote \$ 88.00 (Indicate max height)
- XP090 Upholstery cushion cover upgrade to air lite \$ 77.00
- XP380 Upholstery cushion cover neoprene \$ 98.00

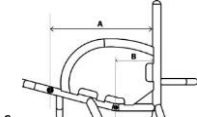
## STRAPPING

### Velcro straps

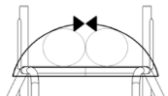
- XS010 Strapping 100mm velcro basic adjustable sport \$ 67.00
  - i** Specify distance from backpost  mm
- XS050 Strapping 100mm velcro pro adjustable sport \$ 134.00
 



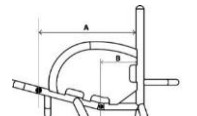
Specify strap length  mm



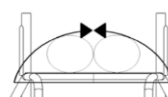
Specify distance from back post  mm
- XS055 Strapping 50mm velcro pro adjustable sport \$ 105.00
 



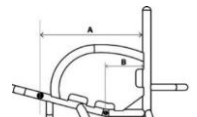
Specify strap length  mm



Specify distance from back post  mm
- XS090 Strapping 50mm velcro CX pro adjustable sport \$ 135.00
 



Specify strap length  mm



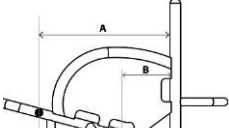
Specify distance from back  mm
- XS100 Strapping Neoprene Bodypoint universal waist strap \$ 80.00

### Ratchet Straps

- XS020 Strapping click basic sport \$ 72.00
    - i** Specify distance from backpost  mm
  - XS025 Strapping click Pelvi Loc 2DA \$ 314.00
 

Indicate seat width:

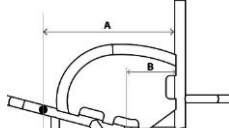
 300-400mm  
 360-460mm



Specify distance from back post  mm
  - XS030 Strapping click Pelvi Loc 3DA \$ 324.00
 

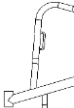
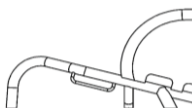
Indicate seat width:

 160-240mm  
 200-320mm  
 300-400mm  
 360-460mm



Specify distance from back post  mm
- Choose attachment (click strap only)
- XS040 Strapping click mounting points (one set per click strap) \$ 124.00
  - XS045 Strapping click mounting clamps (one set per click strap) \$ 75.00

## FRAME OPTIONS

- XR060 Calf strap mounting loops \$ 118.00 
- XR065 Strap location loops \$ 90.00 

## ACCESSORIES

- XC330 Castor fork and stem (Front) spare part \$ 134.00
- XC340 Castor fork and stem (Anti-tip) spare part \$ 134.00
- XC345 Castors wheels set including bearings (spare part) \$ 160.00
- XR030 Accessory 3 Wheel Bag \$ 155.00
- XR090 Accessory toolkit
- XP130 Upholstery frame protectors full length sport \$ 98.00
- XS070 Accessory foot strap
- XS060 Accessory calf strap
- XP400 Upholstery back bar protector

## CX SEAT OPTIONS (ONLY WITH XR070)

### CX SEAT WIDTH

Optional: Select CX seat (minimum 15mm total padding, see guide)

A-330mm XY010 = 270-315   
 B-355mm XY010 = 295-340   
 C-380mm XY010 = 320-365   
 D-405mm XY010 = 345-390

#### Seat padding guide

Seat Padding	Seat width (mm)						
	300	320	340	360	380	400	
A-330	30	n/a	n/a	n/a	n/a	n/a	
B-355	55	35	15	n/a	n/a	n/a	
C-380	n/a	60	40	20	n/a	n/a	
D-405	n/a	n/a	n/a	45	25	n/a	

XA015 Seat taper CX Only (See guide)

Preferred  mm

#### Taper seat guide

Seat Taper	Seat length (mm)				
	250	300	350	400	
330	305	280	255	230	
355	330	305	280	255	
380	355	330	305	280	
405	380	355	330	305	

### CX SEAT POSITION

Front seat height CX only (Floor to middle of cushion)

mm

Note: CX seat comes with +/- 10mm adjustment

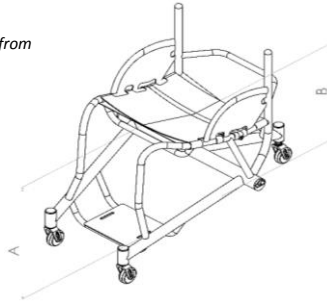
Rear seat height CX only (Floor to middle of cushion)

mm

Note: CX seat comes with +/- 10mm adjustment

Please indicate cushion details from existing chair (cushion thickness and density):

Note: Take measurement from



### BACKREST POSITION

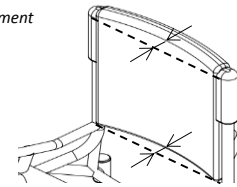
Backrest depth **top** (distance from front of back post to middle of upholstery)

mm

Note: Take measurement from existing chair

Backrest depth **bottom** (distance from front of back post to middle of upholstery)

mm



### CX UPHOLSTERY OPTIONS

XP200 Upholstery CX seat and backrest (Airlite and neoprene cover with 12mm foam padding, total thickness = 15mm)

Seat cushion thickness (additional to 15mm cover thickness)

7  10  25  50

Centre seat cushion foam type

Soft  Med  Hard  Plastazote

Backrest cushion thickness (additional to 15mm cover thickness)

7  10  25  50

Backrest foam type

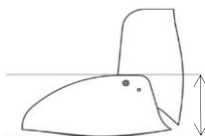
Soft  Med  Hard  Plastazote

### SIDEGUARD MEASUREMENTS

#### Individual Measurements

Sideguard height (Follow tyre / Max = 180mm) (std = 150mm)

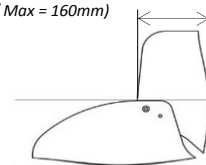
mm



#### Optimised Measurements

Backrest depth (Follow tyre / Max = 160mm) (std = 100mm)

mm





**NOTES**

A large, empty rectangular box intended for handwritten notes.

A large grid of graph paper for calculations or technical drawings.