



49 Bespoke Inc.
 51 Caldari Road, Units 6-7B
 Concord, ON L4K 4G3, Canada
 Telephone: +1.866.827.4548
 Fax: +1.877.731.7745
 49@49bespoke.com
 www.49bespoke.com



Distributor Name: _____
 Contact Name: _____

Purchase Order No: _____
 Delivery Address: _____

 Postal code: _____
 Contact Name: _____
 Telephone: _____
 Email: _____

Notes/Comments:

FOR OFFICE USE ONLY

A/C No: _____		
	Who	Date
OK to Quote:		
OK to Confirm:		
Document No:	DOC	

Net Value:	\$ _____
Freight:	\$ _____
Invoice Value:	\$ _____
Payment Received:	\$ _____

- Base Product
- Standard Configuration
- Mandatory Information
- Option with No extra cost
- Information Required for Option
- Option with Extra cost

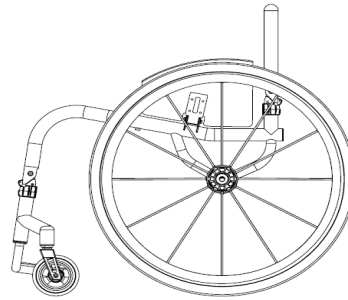
FTXZ010 OCTANE FX
\$ 10,900.00

XA070 Open design

Max User Weight 110kg

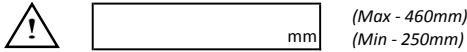
XW010 Full CAD drawing for approval

XW011 Quick CAD drawing for approval
(Basic outline of chair within 2 working days*) *Approximate time only

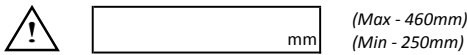


KEY FRAME MEASUREMENTS

XY010 Seat width (Inside of sideguards)



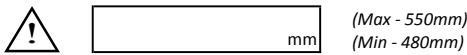
XY020 Seat length



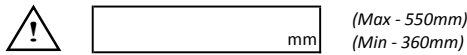
XY030 Extra seat length (Provides additional leg support & hand grip)



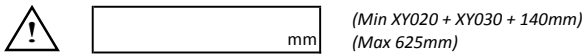
XY050 Front frame height



XY060 Rear frame height



XY070 Frame length

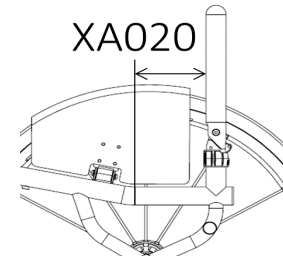
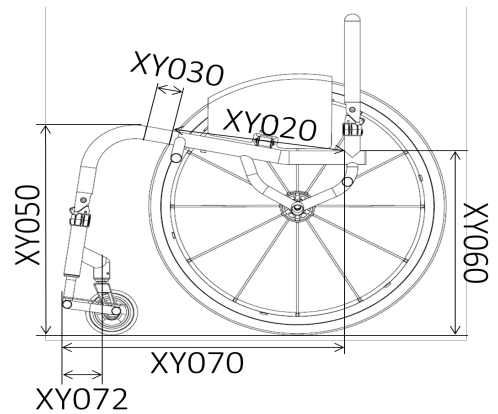
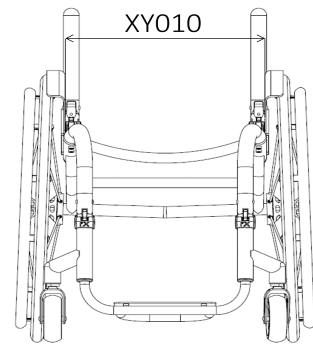
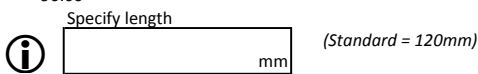


XY072 Caster position



Optimize measurements

XA020 Ergonomic seat
\$ 96.00



FRONT FRAME AND FOOTREST

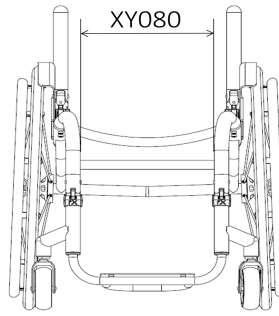
Front Frame Options

XY080 Seat taper design

Specify width

mm

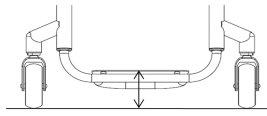
Optimize measurements (XY010-100mm)



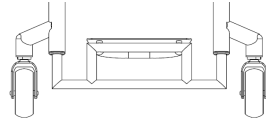
Footrest Design (Choose One)

XY100 Round design

Caster Size	Max Height	With XB200
3"	115mm	165mm
4"	125mm	175mm
5"	135mm	185mm

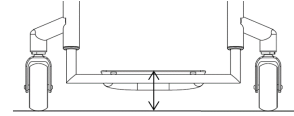


XB200 High level footrest (Only with XB010, XB080 & XB150) \$ 160.00

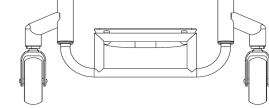


XY105 Square design

Caster Size	Max Height	With XB200
3"	135mm	185mm
4"	145mm	195mm
5"	155mm	205mm



XB200 High level footrest (Only with XB010, XB080 & XB150) \$ 160.00



Footrest Individual Measurements

XY115 Front footrest height

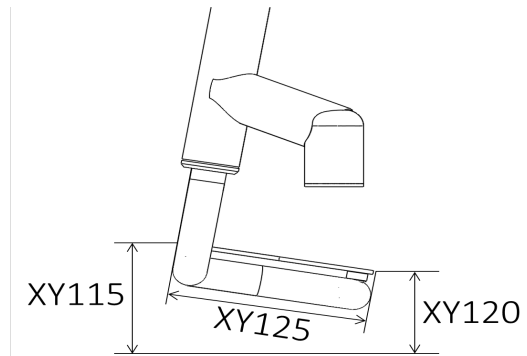
mm

XY120 Rear footrest height

mm (Std = 20 lower than front height)

XY125 Footrest length

mm (Std = 100mm)



Footrest Style and Cover (Choose One)

FTXB080 Tubular footrest welded into frame with Aluminium plate (Supplied with spacer kit to give +20mm adjustment)

XB165 Rubber grip tape (3M safety walk) \$ 69.00

FTXB110 Tubular footrest welded into frame with Carbon plate (Supplied with spacer kit to give +20mm adjustment)

FTXB120 Clamp-on aluminium plate footrest (Angle/height adjustable)

caster WHEELS, FORKS & WHEEL LOCKS

caster Wheels

3"

- XC150 Aluminium centre 3"x1.4"
\$ 185.00 (Silver hub and black urethane tire)

4"

- XC060 Soft roll 4"x1.3"
(Black)
- XC110 Aluminium centre 4"x1"
\$ 185.00 (Silver hub and black urethane tire)
- XC137 Carbon composite centre 4"x1.25"
\$ 185.00 (Black hub & black urethane tire)
- XC130 Aluminium centre 4"x1.4"
\$ 185.00 (choose colour below)



- | | | | |
|--|--|--|---|
| <input type="checkbox"/> Silver hub & black tire (Std) | <input type="checkbox"/> Black hub & blue tire | <input type="checkbox"/> Purple hub & black tire | <input type="checkbox"/> Silver hub & blue tire |
| <input type="checkbox"/> Black hub & black tire | <input type="checkbox"/> Red hub & black tire | <input type="checkbox"/> Gold hub & black tire | <input type="checkbox"/> Silver hub & red tire |
| <input type="checkbox"/> Black hub & red tire | <input type="checkbox"/> Blue hub & black tire | <input type="checkbox"/> Green hub & black tire | |

5"

- | | |
|--|--|
| <input type="checkbox"/> XC070 Soft roll 5"x1.3"
(Black) | <input type="radio"/> XC120 Aluminium centre 5"x1"
\$ 185.00 (Silver hub and black urethane tire) |
| <input type="radio"/> XC100 Pneumatic Aluminium centre 5"x1"
\$ 197.00 (Grey) | <input type="radio"/> XC140 Aluminium centre 5"x1.4"
\$ 185.00 (Silver hub and black urethane tire) |

6"

- | | |
|--|--|
| <input type="checkbox"/> XC080 Soft roll 6"x1.3" | <input type="radio"/> XC145 Aluminium centre 6"x1.4"
\$ 247.00 (Silver hub and black urethane tire) |
|--|--|

caster Forks

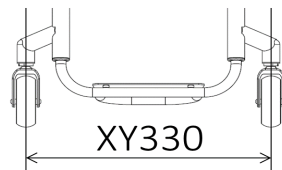
- | | |
|--|--|
| <input type="checkbox"/> XC190 Low ride caster fork
(Std when no option selected) | <input type="radio"/> XC210 Froglegs suspension caster fork
\$ 504.00 |
|--|--|
- Note: Colour follows accent



- Black
- Silver

caster Pin Width

- XY330 Caster pin width
(XY010 plus 70mm)



Wheel Lock Options (Choose one)

- | | |
|--|---|
| <input type="checkbox"/> XD020 Underseat Scissor | <input type="checkbox"/> XD050 Push to lock |
| <input type="radio"/> XD030 Compact scissor
\$ 212.00 | <input type="radio"/> XD046 Out Front push to lock
\$ 326.00 |
| <input type="radio"/> XD035 Compact scissor with lightweight fixing
\$ 281.00 (Only with fixed centre of gravity) | <input type="checkbox"/> XD010 Omit wheel locks |
| <input type="radio"/> XD045 Out Front Compact scissor
\$ 326.00 | |

Choose one caster option only

SIDEGUARDS AND ARMRESTS

Sideguard
Aluminium Options

- XE080 Lift out aluminium
\$ 424.00
- FXTXE130 Fold flat aluminium
\$ 391.00

Carbon Fibre Options

- XE100 Lift out carbon fibre
\$ 610.00
- FXTXE150 Fold flat carbon fibre
\$ 652.00

ABS Plastic Options

- XE120 Lift out ABS plastic
\$ 387.00
- FXTXE170 Fold flat ABS plastic
\$ 391.00

Armrest Options

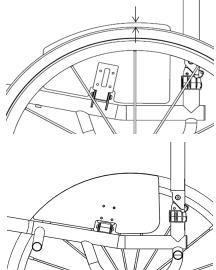
- XF010 Lift out armrest with plastic sideguard
\$ 472.00 (Indicate fixed height)
- XF020 Lift out armrest with aluminium sideguard
\$ 372.00 (Indicate fixed height)

Height (Top of seatrail to top of armrest)

Sideguard Measurements
Optimised measurements

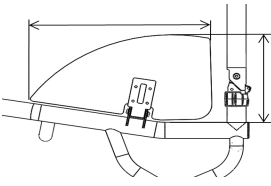
Choose optimised or individual measurements

- 25mm above tire (Follow tire)
 - Individual above tire (Follow tire)
 - Level with tire (Follow tire)
-



Individual measurements

- Sideguard length
 - Sideguard height
-
-



Sideguard with Fender
Aluminium Options

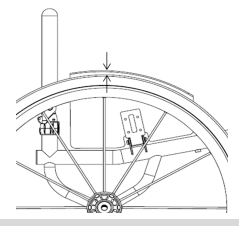
- XE090 Lift out aluminium with fender
\$ 461.00
- FXTXE140 Fold flat aluminium with fender
\$ 435.00

Carbon Fibre Options

- XE110 Lift out carbon fibre with fender
\$ 902.00
- FXTXE160 Fold flat carbon fibre with fender
\$ 796.00

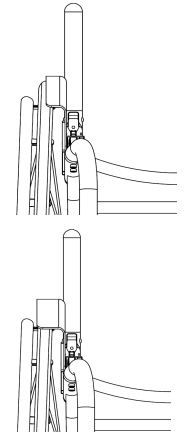
Sideguard Measurements
Fender height

- 10mm above tire (Standard)
- Individual above tire (Min = 10mm)
-



Fender position

- Centre of tire (Standard if no option selected)
- Outside of tire



Choose optimised or individual measurements

BACKREST

Backrest Height - Fixed or Adjustable (Choose One)

XY230 Fixed height backrest
(Maximum 400mm)

Specify height

mm

XY245 Adjustable height backrest
\$ 197.00 (Maximum height 400mm)
(+/-25mm)

Specify height

mm

Backrest Design - Fixed or Folding (Choose One)

FXTXG060 Folding backrest with Q Lock
(Black)

Ergonomics - Rearward Positioning (Choose One)

XY360 Backrest angle

-5 -3 0 +3 +5

Individual Deg
(Max -7/+7 Deg)

XG100 Ergonomic backrest
\$ 116.00

Vertical height mm

Rearward position mm

Ergonomics - Lateral Positioning (Choose One)

XG110 Inward taper
\$ 116.00 (inside of backrest posts)

Specify width or per side mm

XG120 Outward flare
\$ 116.00 (inside of backrest posts)

Specify width or per side mm

Push handle Options

- XG070 Screw in push handles
\$ 180.00 (N/A with XY245)
- XG080 Flip down push handles
\$ 350.00 (N/A with XY245)
- XG085 Flip down push handles height adjustable
\$ 573.00 (N/A with XY245)

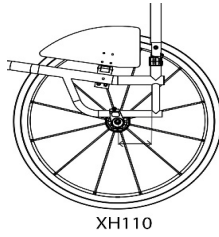
CAMBER BAR

Centre of gravity - Choose one

Adjustable Centre of Gravity

XH110 Square back adjustable centre of gravity
(25-150mm)
(Max seat width 500mm)

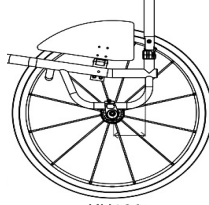
Specify measurement mm



XH110

XH120 Round back adjustable centre of gravity
(60-150mm)

Specify measurement mm



XH120

Specify Camber Angle

XY390 Camber angle

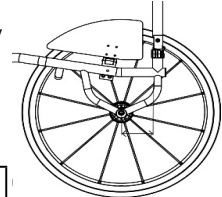
0 1 2 3 5



Fixed Centre of Gravity

FXTXH090 V-style fixed centre of gravity
\$ 488.00
(25-125mm)

Specify measurement mm



FXTXH090

Centre of gravity - Choose one

Specify Camber Angle

XY390 Camber angle

0 1 2 3 5



Camber Bar Options

- FXTXK227 Standard Axle pin (120 or 130mm)
- FXTXK226 100mm Titanium Axle pin \$ 360.00 (Sub4 Style)

- XK220 Titanium 130mm quick release axle pins (pair) (N/A with XK010, XK070 or FXTXK226) \$ 128.00
- XK240 Quad release axle nuts (pair) \$ 191.00 (N/A with XK010, XK070 or FXTXK226)

Anti-Tip Options

- XJ010 Swingaway anti tip LEFT side \$ 133.00 (Only with square back frame. Not with XH040)
- XJ020 Swingaway anti tip RIGHT side \$ 133.00 (Only with square back frame. Not with XH040)

- XJ100 Single sport anti tip \$ 402.00 (centre mounted)

REAR WHEELS

Wheel Size

- XY420 24" Wheels
 XY430 25" Wheels
 XY440 26" Wheels

Wheel Gap

XY460 Rear wheel gap

15 20 25

_____ mm

Wheel Options (Choose one)

- | | |
|---|---|
| <input type="checkbox"/> XK010 Fusion 16 spoke
<i>(Silver Hub, black spokes)</i> | <input type="checkbox"/> XK320 Spinergy XLX 12 spoke, cross/radial spoked
\$ 849.00 |
| <input type="checkbox"/> XK050 Spinergy LX 12 spoke
\$ 796.00 | <input type="checkbox"/> XK060 Spinergy SPOX 18 spoke
\$ 530.00 |
| <input type="checkbox"/> XK150 Spinergy CLX 18 carbon blade spoke
\$ 2,500.00 | <input type="checkbox"/> XK070 Spinergy BLXL 18 blade spoke
\$ 849.00 |

Spinergy Colour Options:

- | | | |
|---|---|--|
| <input type="checkbox"/> Black / Silver hub | <input type="checkbox"/> White / Black hub | <input type="checkbox"/> XK180 Custom spoke design
<i>(Specify colour)</i>
Inside: _____
Outside: _____ |
| <input type="checkbox"/> Red / Black hub | <input type="checkbox"/> Blue / Black hub | |
| <input type="checkbox"/> Yellow / Black hub | <input type="checkbox"/> Green / Black hub | |
| <input type="checkbox"/> Pink / Black hub | <input type="checkbox"/> Orange / Black hub | |
| <input type="checkbox"/> Purple / Black hub | | |

Custom Anodise Options

- | | | |
|--|--|---|
| <input type="checkbox"/> XK190 Black hub
\$ 96.00 | <input type="checkbox"/> XK200 Silver hub
\$ 101.00 <i>(N/A with CLX or BLXL)</i> | <input type="checkbox"/> XK201 Red hub/rims
\$ 326.00 <i>(LX, XLX & BLXL only)</i> |
| <input type="checkbox"/> XK202 Purple hub/rims
\$ 326.00 <i>(LX, XLX & BLXL only)</i> | <input type="checkbox"/> XK203 Blue hub/rims
\$ 326.00 <i>(LX, XLX & BLXL only)</i> | <input type="checkbox"/> XK204 Custom hub/rims
\$ 429.00 <i>Select colour: _____</i> |

Handrim Position

- XY480 Narrow set handrim
 XY485 Wide set handrim
- XL090 Remove excess mounting tabs
 \$ 116.00 *(recommended for small wheel gaps)*

Handrim Options

- | | |
|---|---|
| <input type="checkbox"/> XL010 Aluminium hard anodized 6 tab
<i>(Standard if no option selected)</i> | <input type="checkbox"/> XL040 Titanium 6 tab
\$ 335.00 |
| <input type="checkbox"/> XL030 Surge LT 6 tab
\$ 499.00 | <input type="checkbox"/> XL050 Stainless steel 6 tab
\$ 197.00 |
| <input type="checkbox"/> XL020 Tetra grip 6 tab
\$ 318.00 | |
| <input type="checkbox"/> XL100 Para grip 6 tab
\$ 318.00 | |

Tire Options

- XM010 Kenda
 Grey (std)
 Blue
 Red
- XM130 Kenda black
 \$ 22.00
- XM020 Schwalbe Marathon Plus
 £79.00
- XM040 Shox solid airless
 \$ 128.00 *(Black) (24",25" only)*
- XM060 Schwalbe One *(24",25" only)*
 \$ 106.00
- XM050 Kenda K885 mountain bike tire *(24",25" only)*
 \$ 32.00

Inner Tube Valve Options

- XY500 Schraeder inner tube valve
(Standard if no option selected)
- XY490 Presta inner tube valve

Wheel Accessories

- | | |
|--|--|
| <input type="checkbox"/> XK310 Offroad wheel set 24" rim with handrim, MTB tire and axle pins (Replaces 25" wheel with XM010)
\$ 743.00 | <input type="checkbox"/> XK300 Offroad wheel set 22" rim with handrim, MTB tire and axle pins (Replaces 24" wheel with XM010)
\$ 743.00 |
|--|--|

FINISH OPTIONS

Frame & Component Finish

- | | |
|--|---|
| <input type="checkbox"/> XN010 Powder coated frame | <input type="checkbox"/> XN150 Powder coated components |
|--|---|
- | Frame | Comp. | Gloss | Frame | Comp. | Matt | Frame | Comp. | Special |
|--------------------------|--------------------------|------------------------|--------------------------|--------------------------|---------------------|--------------------------|--------------------------|-------------------------|
| <input type="checkbox"/> | <input type="checkbox"/> | Black gloss 103 | <input type="checkbox"/> | <input type="checkbox"/> | Black matt 105 | <input type="checkbox"/> | <input type="checkbox"/> | Chrome Mirror 300 |
| <input type="checkbox"/> | <input type="checkbox"/> | White gloss 100 | <input type="checkbox"/> | <input type="checkbox"/> | White matt 101 | <input type="checkbox"/> | <input type="checkbox"/> | Sparkle silver 170 |
| <input type="checkbox"/> | <input type="checkbox"/> | Grey gloss 132 | <input type="checkbox"/> | <input type="checkbox"/> | Grey matt 131 | <input type="checkbox"/> | <input type="checkbox"/> | Metallic black matt 104 |
| <input type="checkbox"/> | <input type="checkbox"/> | Cream gloss 135 | <input type="checkbox"/> | <input type="checkbox"/> | Light grey matt 133 | <input type="checkbox"/> | <input type="checkbox"/> | Metallic grey matt 130 |
| <input type="checkbox"/> | <input type="checkbox"/> | Red gloss 108 | <input type="checkbox"/> | <input type="checkbox"/> | Navy blue matt 152 | <input type="checkbox"/> | <input type="checkbox"/> | Black sandpaper 201 |
| <input type="checkbox"/> | <input type="checkbox"/> | Yellow gloss 120 | | | | <input type="checkbox"/> | <input type="checkbox"/> | Grey sandpaper 202 |
| <input type="checkbox"/> | <input type="checkbox"/> | Forest green gloss 143 | | | | <input type="checkbox"/> | <input type="checkbox"/> | White sandpaper 200 |
| <input type="checkbox"/> | <input type="checkbox"/> | Green gloss 107 | | | | | | |
| <input type="checkbox"/> | <input type="checkbox"/> | Dark blue gloss 151 | | | | | | |
| <input type="checkbox"/> | <input type="checkbox"/> | Royal blue gloss 154 | | | | | | |
| <input type="checkbox"/> | <input type="checkbox"/> | Blue gloss 174 | | | | | | |
| <input type="checkbox"/> | <input type="checkbox"/> | Duckegg blue gloss 141 | | | | | | |
| <input type="checkbox"/> | <input type="checkbox"/> | Pink gloss 188 | | | | | | |
| <input type="checkbox"/> | <input type="checkbox"/> | Orange gloss 180 | | | | | | |
| <input type="checkbox"/> | <input type="checkbox"/> | Purple gloss 157 | | | | | | |
- Custom
- XN200 Custom paint colour
- | | | |
|--------------------------|--------------------------|--|
| Frame | Comp. | Select colour/RAL: |
| <input type="checkbox"/> | <input type="checkbox"/> | <div style="border: 1px solid black; width: 100px; height: 40px;"></div> |
- | | |
|--|--|
| <input type="radio"/> FXTXN030 Brushed frame
\$ 450.00 | <input type="radio"/> XN160 Brushed components
\$ 96.00 |
| <input type="radio"/> FXTXN050 Polished frame
\$ 530.00 | <input type="radio"/> XN170 Polished components
\$ 170.00 |

Accent Colour (Choose One)

Note: Accent colour includes forks only

- | | |
|--|--|
| <input type="checkbox"/> Black accent | <input type="checkbox"/> Silver accent |
| <input type="checkbox"/> Red accent | <input type="checkbox"/> Blue accent |
| <input type="checkbox"/> Purple accent | |

UPHOLSTERY

Seat Upholstery

- | | |
|--|--|
| <input type="checkbox"/> XP040 Seat sling adjustable tension with straps | <input type="radio"/> XR050 Carbon fibre seat plate
\$ 382.00 |
| <input type="radio"/> FXTXP045 Seat sling adjustable sub4 | |

Backrest Upholstery

- | | |
|--|---|
| <input checked="" type="checkbox"/> XP050 Airtech backrest strap adjustable | <input type="radio"/> XP060 Backrest upgrade to full leather
\$ 398.00 (select colour) |
| <input type="radio"/> FXTXP035 Airtech sub4 backrest strap adjustable
\$ 186.00 | <input type="radio"/> XP070 Backrest upgrade to leather corners
\$ 96.00 (not with flip down push handles) (select colour) |
- Black (std) Red

Backrest Upholstery Stitching Options

- | | | |
|--|-------------------------------------|---------------------------------|
| <input type="checkbox"/> Silver
(Standard if not indicated) | <input type="checkbox"/> Black | <input type="checkbox"/> Blue |
| <input type="checkbox"/> Red | <input type="checkbox"/> Light blue | <input type="checkbox"/> Purple |

Backrest Upholstery Logo Options

- | | | |
|--|-------------------------------------|---------------------------------|
| <input type="checkbox"/> Silver
(Standard if not indicated) | <input type="checkbox"/> Black | <input type="checkbox"/> Blue |
| <input type="checkbox"/> Red | <input type="checkbox"/> Light blue | <input type="checkbox"/> Purple |

Backrest Accessories

- | | |
|---|---|
| <input type="radio"/> XP110 Backrest with zip pocket
(N/A with Sub4 backrest)
\$ 101.00 | <input type="radio"/> XP170 Individual backrest embroidery
(N/A with Sub4 backrest)
\$ 160.00 (Please provide .jpeg file and positioning) |
|---|---|

CUSHION

Cushion foam options

- XP080 Cushion foam with nylon cover
\$ 96.00 *(select density and size below)*
- Soft (CMS040) Medium (CMS050) Hard (9lb recon)
- 50mm 75mm 100mm

Cushion cover options

- XP090 Air Lite cushion cover
\$ 79.00 *(Black)*
- XP100 Leather cushion cover
\$ 202.00 *(select colour below)*
- Black (std) Red

Jay Cushion

- XP250 JAY Extreme Active fluid pad
\$ 1,750.00 *(Price subject to change dependant on size)*
- XP251 JAY Easy Visco
\$ 650.00 *(Price subject to change dependant on size)*

Other Jay cushion, please specify code, cost, size and description:

ACCESSORIES

- XR080 Frontwheel assembly
(Only with XB010, TGAXB080, XB150)

(Office use only)

Frontwheel serial number:

- XP120 Frame protectors neoprene zip fasten
\$ 67.00
- XR010 Seat pouch velcro attach *(Black)*
\$ 47.00
- XR200 Rucksack with RGK logo *(Black)*
\$ 120.00
- XR100 FX carry bag
\$ 266.00
- XR090 Tool kit
- XS060 Calf strap

NOTES

Large empty rectangular box for notes.

Large grid area for notes.