



49 Bespoke Inc.
51 Caldari Road, Units 6-7B
Concord, ON L4K 4G3, Canada
Telephone: +1.866.827.4548
Fax: +1.877.731.7745
E-Mail: 49@49bespoke.com
www.49bespoke.com

Customer Contact Details

Customer Name: _____
Advisor: _____
Address: _____

Phone: _____
Email: _____

Ship to Customer Address:
Shipping Name: _____
Shipping Address: _____

Phone: _____
Email: _____

Additional Information

Notes: _____

Current Wheelchair: _____
Customer Weight: _____
Customer Height: _____
Customer Disability: _____

Guide:
 Base product

 Required option

 Optional Extra

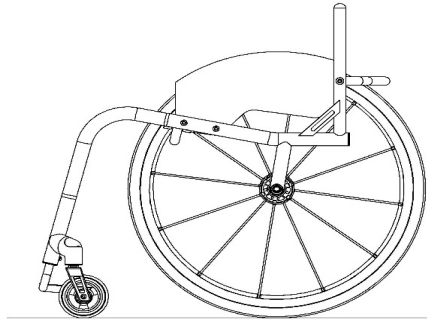

Critical Information



Information Needed

PRODUCT STYLE
 SBAXZ010 TIGA SUB4
\$7,210.00

 XA070 Open design

Max User Weight 110kg (242lbs)
 Yes, I am within the max user weight

CAD APPROVAL
 XW010 CAD drawing for approval

 XW011 CAD drawing for approval in 48 hours
\$ 300.00

KEY MEASUREMENTS
 XY010 Seat width (Inside of sideguards)

 mm

 (Max - 440mm)
(Min - 250mm)

 XY020 Seat length

 mm

 (Max - 440mm)
(Min - 250mm)

 XY030 Extra seat length (Provides additional leg support & hand grip)

 mm

(Max - 440mm total seat)

 XY050 Front frame height

 mm

 (Max - 520mm)
(Min - 380mm)

 XY060 Rear frame height

 mm

 (Max - 500mm)
(Min - 360mm)

 XY070 Frame length

 mm

 (Max - 625mm)
(Min = XY020 + XY030 + 140mm)

 XY072 Caster position

 mm

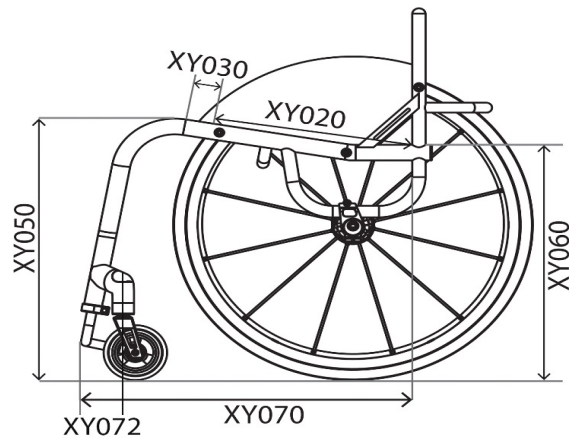
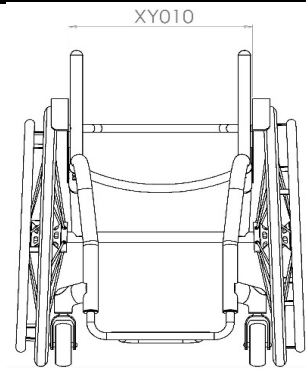
 Optimize measurements

 XA020 Ergonomic seat
\$ 96.00

Specify length


 mm

(Standard = 120mm)



FRONT FRAME AND FOOTREST

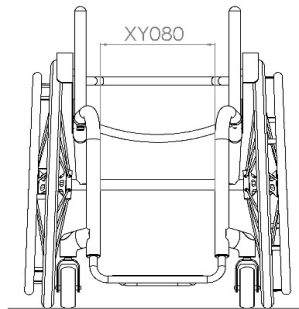
Front Frame Options

 XY080 Seat taper design


Specify width

 mm

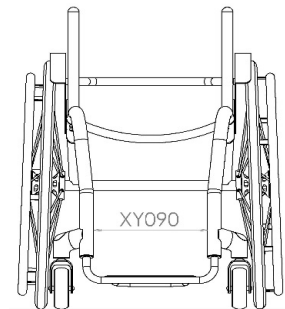
(When combined with XY091, dimension is in between the centre of the main bends)


 XY091 Parallel taper design


Specify width

 mm

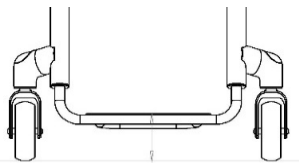
(When combined with XY080, dimensions must be smaller by 20mm)



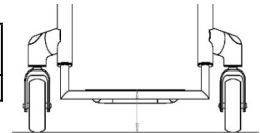
Footrest Design Choose One)

 XY100 Round design

Caster Wheel Size	Max Height Achievable
4"	110mm


 XY105 Square design
***Non certified Sub4 option**

Caster Wheel Size	Max Height Achievable
4"	130mm



Footrest Measurements

 XY115 Front footrest height

 mm

 XY120 Rear footrest height

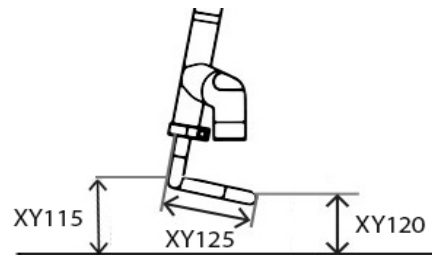
 mm

Std = 20 lower than front height

 XY125 Footrest length

 mm

Maximum length 140mm (Certified weight)
 (160mm and over requires heavy duty upgrade XB150)



Footrest Style

 XB010 Tubular aluminium footrest
 (Height adjustable)

Footrest Cover

 XB045 Lightweight carbon fibre cover
 (With weight saving cut-out)

 Footplate width Sub4 certified
 (Std if no option selected)

 Footplate width Standard (optimised plate width)
***non certified Sub4 option**

CASTER WHEELS, FORKS & WHEEL LOCKS

Caster Wheels

XC135 Aluminium centre 4"x1.25"
Choose colour below:

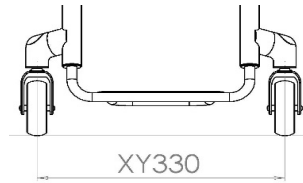
- | | |
|--|---|
| <input type="checkbox"/> Silver hub & black tire (Std) | <input type="checkbox"/> Green hub & black tire |
| <input type="checkbox"/> Black hub & black tire | <input type="checkbox"/> Red hub & black tire |
| <input type="checkbox"/> Purple hub & black tire | <input type="checkbox"/> Blue hub & black tire |

Caster Forks

XC190 Low ride caster fork
Note: Colour follows accent

Caster Pin Width

XY330 Caster pin width
 Optimize measurements
(Minimum width for clear caster rotation and maximum wheelbase length)



Wheel Lock Options

- SBAXD036 Compact scissor with lightweight fixing XD010 Omit wheel locks

SIDEGUARDS

Sideguard
Carbon Fibre Options

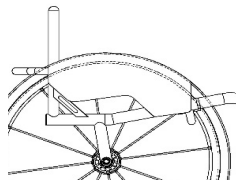
XE055 Screw on lightweight carbon fibre

Sideguard Measurements

Individual above tire (Follow tire - max. 25mm)

mm

Level with tire (Follow tire)



Sideguard with Fender
Carbon Fibre Options

XE065 Screw on lightweight carbon fibre w/fender

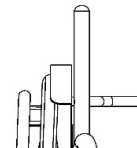
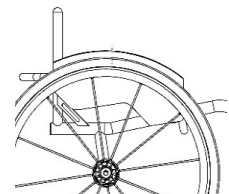
Sideguard Measurements

10mm above tire (Standard)

Individual above tire (Min = 10mm)

mm

Centre of tire



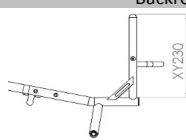
BACKREST

Backrest Measurements

XY230 Backrest height

Specify height

mm



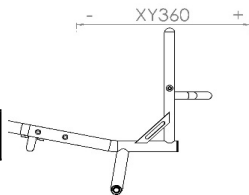
XG010 Fixed Backrest (non-folding)

Ergonomic Options

XY360 Backrest angle

Individual Deg
(Max -10/+20 Deg)

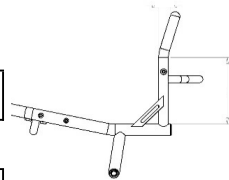
-5 -3 0 +3 +5



XG100 Ergonomic backrest
\$ 116.00

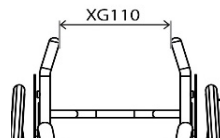
Vertical height mm

Rearward position mm



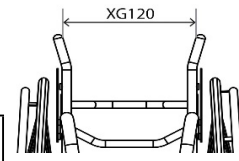
XG110 Inward taper (inside of backrest posts)
\$ 116.00

Specify width or per side mm



XG120 Outward flare (inside of backrest posts)
\$ 116.00

Specify width or per side mm



CAMBER BAR

Specify Camber Angle

XY390 Camber angle

#

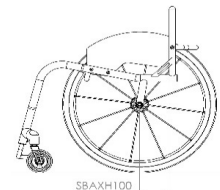


Centre of Gravity

SBAXH100 Single post fixed centre of gravity (25-125mm)



mm



FRAME FINISH OPTIONS

Frame and Footrest

SBAXN030 Brushed frame

SBAXN050 Polished frame

Accent Colour (Choose One)

Note: Accent colour includes, forks & castor caps.

Black accent
 Red accent
 Purple accent



Silver accent
 Blue accent
 Carbon accent
(Caster caps only, black for rest)

XN250 Individual Accent Colour
\$106.00

UPHOLSTERY

Seat Upholstery

XP045 Sub4 Seat sling strap adjustable

Backrest Upholstery

XP035 Airtech Sub4 backrest strap adjustable

XP050 Airtech backrest strap adjustable
***Non Sub4 option**

Backrest Upholstery Stitching Options

Silver Black Blue Individual: _____
 Red Light blue Purple _____

Backrest Upholstery Logo Colour

White (Std) Black Blue Individual: _____
 Red Light blue Purple _____

REAR WHEELS (* non certified weight options)

Rear Wheel Size

- XY420 24" Wheels
 XY430 25" Wheels

Rear Wheel Gap

- XY460 Rear wheel gap
- 15
 20
 25
-

Rear Wheel Options

- XK075 Spinergy BLXL 18 blade spoke (N/A with silver hub)
 SBAXK150 Spinergy CLX 18 carbon blade spoke (N/A with silver hub) \$ 1,236.00
- XK226 Titanium 100mm quick release axle pins

Spinergy Colour Options:

- Black spokes
 White spokes
 Yellow spokes
 XK180 Individual spoke design (Specify colour) \$ 170.00
- Red spokes
 Blue spokes
 Pink spokes
- Purple spokes
 Orange spokes
 Green spokes
- Inside: _____
 Outside: _____

Spinergy Anodise Options

- XK190 Black hub (std option)
 XK200 Silver hub (n/a with BLXL/CLX) \$ 101.00
 XK201 Red hub/rims (LX, XLX & BLXL only) \$ 326.00
 XK204 Individual hub/rims \$ 429.00 Select colour: _____
- XK202 Purple hub/rims (LX, XLX & BLXL only) \$ 326.00
 XK203 Blue hub/rims (LX, XLX & BLXL only) \$ 326.00
 XK204 Gold hub/rims (LX, XLX & BLXL only) \$ 429.00

Supply Without Wheels

- SBAXK040 Supply without Wheels \$ (212.00)
- Wheel Type:
 Tire Type:

Handrim Position / Options

- XY480 Narrow set handrim
 XY485 Wide set handrim
- XL090 Remove excess mounting tabs (recommended for small wheel gaps) \$ 116.00

Handrim Styles

- XL010 Aluminium hard anodised 6 tab
- XL020 Tetra grip 6 tab \$ 318.00
 XL040 Titanium 6 tab \$ 355.00
- XL100 Para grip 6 tab \$ 318.00
 XL050 Stainless steel 6 tab \$ 197.00

Tire Options

- XM060 Schwalbe One (Lightest option) \$ 106.00
- XM010 Kenda
 Grey
 Blue
 Red
- XM020 Schwalbe Marathon Plus \$ 79.00
 XM130 Kenda black \$ 22.00
- XM040 Shox solid airless (Black) \$ 128.00
 XM050 Kenda K885 mountain bike tire (24", 25" only) \$ 32.00

Inner Tube Valve Options

- XY500 Schraeder inner tube valve (Standard if no option selected)
 XY490 Presta inner tube valve

* Indicates items that are not part of the certified weight of the TIGA Sub4

CUSHION (non certified weight options)**

Cushion foam options

- XP080 Cushion foam
\$ 96.00 *(select density and size below)*
- Soft (CMS040) Medium (CMS050) Hard (9lb recon)
- 50mm 75mm 100mm

Cushion cover upgrades

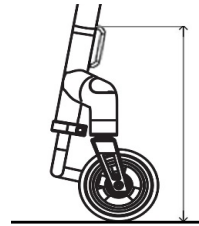
- XP085 Nylon cushion cover
(Black)
- XP090 Airlite cushion cover
\$ 79.00 *(Black)*
- XP100 Leather cushion cover
\$ 202.00 *(Black)*

Jay Products

- JAY Cushion
(Price dependant on size / option) Refer to Jay Order Form
- JAY Backrest
(Price dependant on size / option) Refer to Jay Order Form
- JAY Whitmyer Headrest
(Price dependant on size / option) Refer to Jay Order Form

FRAME OPTIONS (non certified weight options)**

- XR060 Welded calf strap mounting loops
\$ 122.00 *(To locate calf strap on front frame)*
- Specify height from floor*
- Optimize measurements



ACCESSORIES (non certified weight options)**

- XR080 Frontwheel assembly
\$ 838.00 *(Only with XB010, TGAXB080, XB150)*
- XP120 Frame protectors Neoprene zip fasten (Black)
\$ 67.00
- XP420 Frame protectors Nylon velcro fasten (Black)
\$ 64.00
- XR010 Seat pouch velcro attach (Black)
\$ 47.00
- XR200 Rucksack with RGK logo (Black)
\$ 120.00
- XR020 Underseat large storage bag (Black)
\$ 101.00
- XR090 Tool kit
- XS065 Sub4 Calf Strap

** indicates options that, when chosen, will not enable RGK to guarantee a Sub4kg product weight

OTHER (** non certified weight options)			
Footrest			
<input type="checkbox"/>	XB200 \$160.00	High level footrest	<i>Indicate front footrest height:</i> <div style="border: 1px solid black; width: 100px; height: 20px; display: inline-block; text-align: center; margin: 5px 0;">mm</div>
Castor Wheel Size			
<input type="checkbox"/>	XC150 \$185.00	Aluminium centre 3"x1.4" <i>(Silver hub and black tire)</i>	<input type="checkbox"/>
<input type="checkbox"/>	XC140 \$185.00	Aluminium centre 5"x1.4" <i>(Silver hub and black tire)</i>	<input type="checkbox"/>
<input type="checkbox"/>	XC145 \$247.00	Aluminium centre 6"x1.4" <i>(Silver hub and black tire)</i>	
Wheel Lock Options			
<input type="checkbox"/>	XD020	Underseat scissor	<input type="checkbox"/>
			XD050 Push to lock
Sideguards			
<input type="checkbox"/>	XE030 \$260.00	Screw on aluminium, indicate size on page 4	
Backrest Options			
<input type="checkbox"/>	SBAXG020 \$304.00	Folding backrest with 2 position snap lock and angle adjust	
Push handle Options			
<input type="checkbox"/>	XG070 \$180.00	Screw in push handles	<input type="checkbox"/>
			XG080 Flip down push handles \$350.00
Centre of Gravity			
<input type="checkbox"/>	SBAXH130 \$689.00	Square back adjustable centre of gravity (25-125mm)	<input type="checkbox"/>
			SBAXH140 Round back adjustable centre of gravity (60-125mm) \$689.00
Anti-Tip Options			
<input type="checkbox"/>	XJ100 \$402.00	Single sport anti tip <i>(required to change to TIGA size axle)</i>	
Seat Plate			
<input type="checkbox"/>	XR050 \$382.00	Carbon fibre seat plate	
Backrest Upholstery Leather Options (only with XP050)			
<input type="checkbox"/>	XP070 \$ 96.00	Backrest upgrade to leather corners (Black) <i>(only with Airtech upholstery XP050)</i>	
Backrest Accessories (only with XP050)			
<input type="checkbox"/>	XP110 \$101.00	Backrest with zip pocket <i>(only with Airtech upholstery XP050)</i>	<input type="checkbox"/>
			XP170 Individual backrest embroidery \$160.00 <i>(Please provide .jpeg file and positioning) (only with Airtech upholstery XP050)</i>
** indicates options that, when chosen, will not enable RGK to guarantee a Sub4kg product weight			

NOTES

Blank area for notes.

Grid area for notes.