



Customer Contact Details

Customer Name: _____

Advisor: _____

Address: _____

Phone: _____

Email: _____

Ship to Customer Address:

Shipping Name: _____

Shipping Address: _____

Phone: _____

Email: _____

Additional Information

Notes: _____

Current Wheelchair: _____

Customer Weight: _____

Customer Height: _____

Customer Disability: _____

Guide:

 Base product

 Required option

 Optional Extra


Critical Information

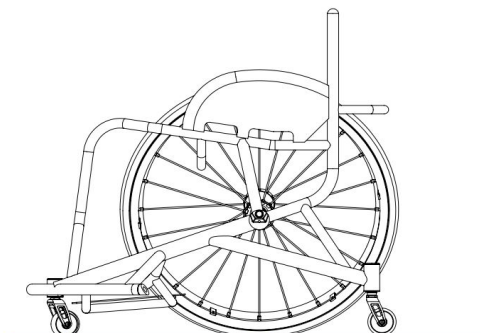


Information Needed

PRODUCT STYLE

 ELAXZ010 ELITE
\$6,077.00

- ELAXA062 Standard Frame
 ELAXA063 Standard Frame with 25mm seatrail
 ELAXA280 Heavy Duty Frame
 \$510.00 *(Spinergy R10 wheels also required)*

Max User Weight 125kg (275lbs)
 Yes, I am within the max user weight


CAD APPROVAL

 XW010 CAD drawing for approval

 XW011
\$300.00

CAD drawing for approval in 48 hours

KEY MEASUREMENTS

 XY010 Seat width *(Inside to inside of sideguards)*

 mm

(Max - 500mm)
 XY020 Seat length

 mm

(Max - 500mm)
 XY030 Extra seat length *(Provides additional leg support & hand grip)*

 mm

 XY050 Front frame height

 mm

*(Max - 630mm)
(Min - 360mm)*
 XY060 Rear frame height

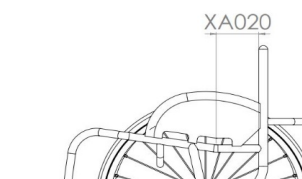
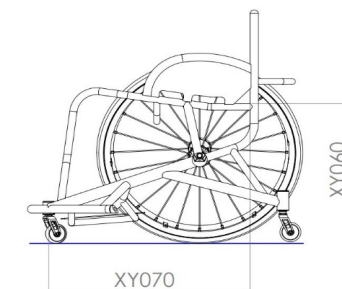
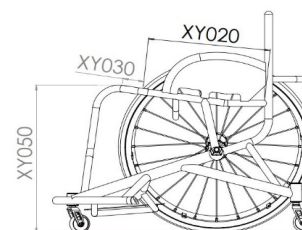
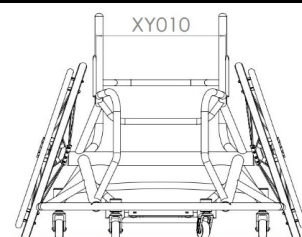
 mm

*(Max - 630mm)
(Min - 360mm)*
 XY070 Frame length

 mm

(Min = XY020 + XY030 + 140mm)
 XA020 Ergonomic seat
\$96.00

 mm

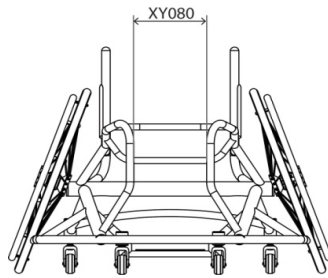
(Standard = 120mm)


FRONT FRAME AND SEAT

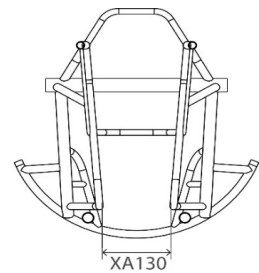
Front Frame Options (Choose One)

 XY080 Seat taper design

i Specify taper width
 mm


 XA130 V-seat design
 \$244.00

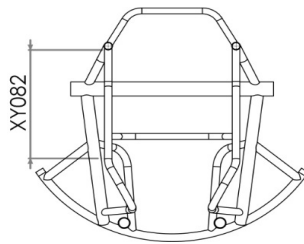
i Specify taper width
 mm



Advanced Front Frame Options

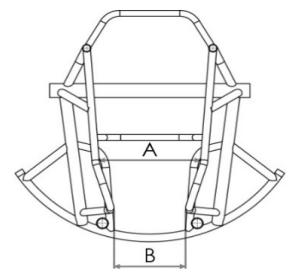
 XY082 Seat taper position
 \$72.00

i Specify measurement
 mm

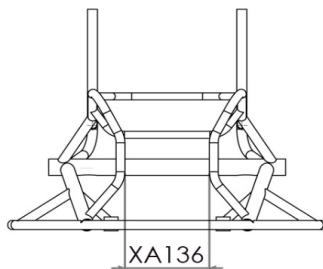

 XA131 V-seat and taper design
 \$263.00

i Specify inside width at front of sideguard (A)
 mm

i Specify taper width (B)
 mm

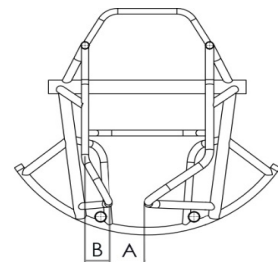

 XA136 Parallel taper design
 \$72.00
 (Not with Seat Taper XY080)

i Specify taper width
 mm


 XA135 Asymmetrical taper design
 \$211.00

i Specify taper width (A)
 mm

i Specify offset (B)
 (Inside of sideguard to inside of taper width)
 mm



Seat Options

 XR040 Aluminum seat plate
 \$153.00
 (riveted to frame)

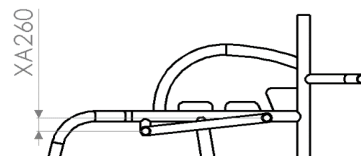
i Specify length of plate
 mm (Std XY020 - 20mm)

 XA260 Drop seat design
 \$175.00
 (only with either XR040 or 050)

i Specify drop
 mm (Std = 20mm)

 XR050 Carbon fibre seat plate
 \$382.00
 (riveted to frame)

i Specify length of plate
 mm (Std XY020 - 20mm)

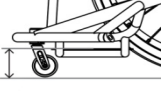

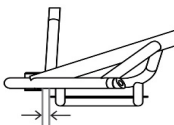


FOOTREST

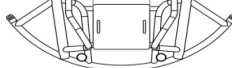
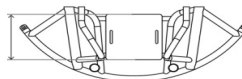
Fixed Footrest

- ELAXB080 Fixed position footrest



Height and Position

- Front footrest height
 mm (min = 35mm) 
- Rear footrest height
 mm (min = 35mm) 
- Footrest position (front of footplate to castor pot)
 mm 

Footrest Size (Not ABS)

- Footrest width
 mm (Std = 200mm) 
- Footrest length
 mm (Std = 250mm) 

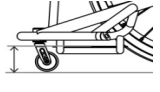

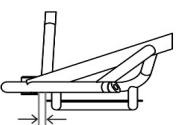
Footrest Plate

- XB180 Aluminium footplate (2.5mm)
- XB190 Carbon fibre footplate \$446.00
- XB100 ABS moulded foot tray \$146.00
 Specify length
 mm (Max = 380mm (Full) Std = 330mm) 
- ELAXB140 Spacer kit \$101.00 (Allows for 25mm increase in height)
- ELAXB145 Multi position footrest tubes \$474.00 


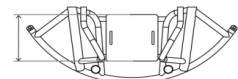
Adjustable Footrest

- ELAXB130 Clamp on adjustable position footrest \$244.00 (100mm range)


Height and Position

- Front footrest height
 mm (min = 40mm) 
- Rear footrest height
 mm (min = 40mm) 
- Footrest position (front of footplate to castor pot)
 mm 

Footrest Size (Not ABS)

- Footrest width
 mm (Std = 200mm) 
- Footrest length
 mm (Std = 250mm) 


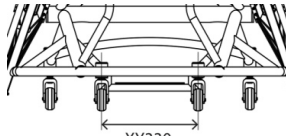
Footrest Plate

- XB180 Aluminium footplate (5mm)
- XB100 ABS moulded foot tray \$146.00
 Specify length
 mm (Max = 380mm (Full) Std = 330mm) 

Footrest Plate Options

- XB240 Aluminium raised edges (Cost per Edge) \$149.00
 Front Back Left Right
 Specify height
 (Max = 60mm)
- XB250 Carbon Fibre raised edge (1 side only) \$1,075.00
 Front Back
 Specify height
 (Max = 45mm)

Caster Pin Width

- XY330 Caster pin width
 mm 
- Optimise measurements

CAMBER BAR, WING AND ANTI-TIP

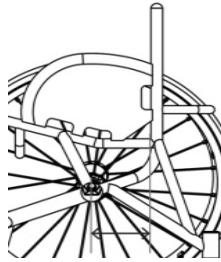
Centre of Gravity

ELAXY510 Fixed centre of gravity



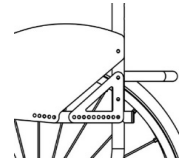
Specify measurement
 mm

(Note: dimension is taken from front of backrest to centre of axle)



ELAXY515 Backrest COG adjustment
 (Not with welded sides)
 (+/-20mm)

Specify measurement
 mm



ELAXY560 Adjustable centre of gravity

Specify measurement
 mm

Specify Camber Angle

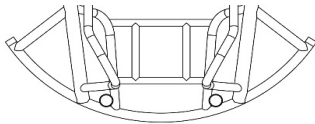
XY390 Camber angle



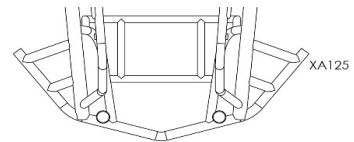
16 18 20 22

Wing Options

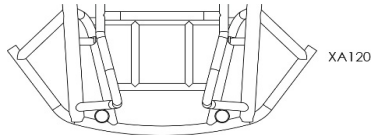
ELAXA110 Round design basketball wing



ELAXA125 Arrow design basketball wing
 \$207.00



ELAXA120 Straight sided design basketball wing
 \$207.00



Anti-tip options

ELAXJ040 Single fixed anti tip

ELAXJ060 Double fixed anti tip
 \$286.00
 (With high mount joining bar)



Specify caster pin width
 mm

Optimize measurements
 (Wide as possible - std if not indicated)

CASTORS AND REAR WHEELS

Castor Options

- | | |
|---|--|
| <input checked="" type="checkbox"/> XC160 Sport 61mm castor (Black) | <input type="checkbox"/> XC181 Bones Reds bearings (All castor bearings) |
| <input checked="" type="checkbox"/> XC200 Sport micro fork | <input type="checkbox"/> XC182 Bones Swiss Ceramic bearings (All castor bearings) \$479.00 |

Rear Wheel Size

- | | | | |
|---|---|---|--|
| <input type="checkbox"/> XY420 24" Wheels | <input type="checkbox"/> XY430 25" Wheels | <input type="checkbox"/> XY440 26" Wheels | <input type="checkbox"/> XY450 700C Wheels |
|---|---|---|--|

Rear Wheel Gap

<input type="checkbox"/> XY460 Rear wheel gap	<input type="checkbox"/> XY470 Inside to inside of wheel
---	--

XY460

OR

mm

XY470

Individual mm

Rear Wheel Options

- | | |
|--|--|
| <input type="checkbox"/> XK030 Equalizer 36/48 spoke | <input type="checkbox"/> XK330 Spinergy SLX R10 heavy duty 24 spoke (18 deg camber angle only) \$1,480.00 |
| <input type="checkbox"/> XK080 Spinergy SLX 24 spoke \$801.00 | |
- Spinergy Colour Options:**
- | | | | |
|--|--|--|--|
| <input type="checkbox"/> Black spokes | <input type="checkbox"/> White spokes | <input type="checkbox"/> Yellow spokes | <input type="checkbox"/> XK180 Individual spoke design (Specify colour) \$170.00 |
| <input type="checkbox"/> Red spokes | <input type="checkbox"/> Blue spokes | <input type="checkbox"/> Pink spokes | Inside: _____ |
| <input type="checkbox"/> Purple spokes | <input type="checkbox"/> Orange spokes | <input type="checkbox"/> Green spokes | Outside: _____ |
- Spinergy Anodize Options**
- | | | | |
|---|---|---|--|
| <input type="checkbox"/> XK190 Black hub (std option) | <input type="checkbox"/> XK200 Silver hub \$101.00 | <input type="checkbox"/> XK201 Red hub/rims \$326.00 | <input type="checkbox"/> XK204 Individual hub/rims \$429.00 Select colour: _____ |
| <input type="checkbox"/> XK202 Purple hub/rims \$326.00 | <input type="checkbox"/> XK203 Blue hub/rims \$326.00 | <input type="checkbox"/> XK204 Gold hub/rims \$429.00 | |

Supply Without Wheels

- | | | | |
|--|--|--|---|
| <input type="checkbox"/> XK040 Supply without Wheels -\$212.00 | | Wheel Type: | Tire Type: |
|--|--|--|---|

Handrim Position / Options

- | | |
|--|---|
| <input type="checkbox"/> XY480 Narrow set handrim | <input type="checkbox"/> XY485 Wide set handrim |
| <input type="checkbox"/> XL090 Remove excess mounting tabs (recommended for small wheel gaps) \$116.00 | <input type="checkbox"/> XL080 Super narrow set handrim (only with XL040 and includes XL090) \$234.00 |

Handrim Style

- | | |
|--|--|
| <input type="checkbox"/> XL010 Aluminium hard anodized 6 tab | <input type="checkbox"/> XL040 Titanium 6 tab (Not with 700C) \$355.00 |
| <input type="checkbox"/> XL070 Aluminium hard anodized 12 tab (\$116.00) | <input type="checkbox"/> XL050 Stainless steel 6 tab \$197.00 |
- (24" not available)

Tire Options

- | | |
|--|---|
| <input type="checkbox"/> XM070 Kenda Kaliente <input type="checkbox"/> Red <input type="checkbox"/> Blue | <input type="checkbox"/> XM080 Tufo MS3 tubeless (Blue only) \$64.00 |
| <input type="checkbox"/> XM150 IRC Exeracer Pro (Red Only) \$149.00 | <input type="checkbox"/> XM090 Tufo WS3 tubeless (24" only and Blue only) \$64.00 |

Spare Wheel

- | | |
|--|---|
| <input type="checkbox"/> ELAXK500 Spare wheel Spinergy (All inclusive + axle pin) \$1,799.00 | <input type="checkbox"/> XK520 Spare wheel upcharge (for Titanium or super narrow push rims) \$505.00 |
|--|---|

Inner Tube Valve Options

- | | |
|---|---|
| <input type="checkbox"/> XY500 Schraeder inner tube valve | <input type="checkbox"/> XY490 Presta inner tube valve (Standard if no option selected) |
|---|---|

FINISH OPTIONS

Frame & Component finish

 XN010 Powder coated frame

 XN150 Powder coated components (Frame colour if not specified)

Frame	Comp.	<u>Gloss</u>
<input type="checkbox"/>	<input type="checkbox"/>	Black gloss 103
<input type="checkbox"/>	<input type="checkbox"/>	White gloss 100
<input type="checkbox"/>	<input type="checkbox"/>	Grey gloss 132
<input type="checkbox"/>	<input type="checkbox"/>	Cream gloss 135
<input type="checkbox"/>	<input type="checkbox"/>	Red gloss 108
<input type="checkbox"/>	<input type="checkbox"/>	Yellow gloss 120
<input type="checkbox"/>	<input type="checkbox"/>	Forest green gloss 143
<input type="checkbox"/>	<input type="checkbox"/>	Green gloss 107
<input type="checkbox"/>	<input type="checkbox"/>	Dark blue gloss 151
<input type="checkbox"/>	<input type="checkbox"/>	Royal blue gloss 154
<input type="checkbox"/>	<input type="checkbox"/>	Blue gloss 174
<input type="checkbox"/>	<input type="checkbox"/>	Duckegg blue gloss 141
<input type="checkbox"/>	<input type="checkbox"/>	Pink gloss 188
<input type="checkbox"/>	<input type="checkbox"/>	Orange gloss 180
<input type="checkbox"/>	<input type="checkbox"/>	Purple gloss 157

Frame	Comp.	<u>Matt</u>
<input type="checkbox"/>	<input type="checkbox"/>	Black matt 105
<input type="checkbox"/>	<input type="checkbox"/>	White matt 101
<input type="checkbox"/>	<input type="checkbox"/>	Grey matt 131
<input type="checkbox"/>	<input type="checkbox"/>	Light grey matt 133
<input type="checkbox"/>	<input type="checkbox"/>	Navy blue matt 152

Frame	Comp.	<u>Special</u>
<input type="checkbox"/>	<input type="checkbox"/>	Chrome Mirror 300
<input type="checkbox"/>	<input type="checkbox"/>	Sparkle silver 170
<input type="checkbox"/>	<input type="checkbox"/>	Metallic black matt 104
<input type="checkbox"/>	<input type="checkbox"/>	Metallic grey matt 130
<input type="checkbox"/>	<input type="checkbox"/>	Black sandpaper 201
<input type="checkbox"/>	<input type="checkbox"/>	Grey sandpaper 202
<input type="checkbox"/>	<input type="checkbox"/>	White sandpaper 200

 ELAXN030 Brushed frame
\$1,080.00
(All parts black unless XN160 chosen)

 ELAXN050 Polished frame
\$1,400.00
(All parts black unless XN170 chosen)

 XN200 Individual paint colour (State Colour/RAL code)
\$450.00

Frame	Comp
<input type="checkbox"/>	<input type="checkbox"/>

 XN160 Brushed components
\$96.00
(not required with fixed footrest & backrest)

 XN170 Polished components
\$170.00
(not required with fixed footrest & backrest)

Accent Colour

Note: Accent colour includes, forks, castor caps, decals.

Black accent
 Red accent
 Purple accent

Silver accent
 Blue accent

 XN250 Individual accent
\$250.00

Select Colour:

UPHOLSTERY (N/A WITH CX SEAT)

Seat Upholstery

 XP040 Seat sling strap adjustable
(Not required with seat plate)

Backrest Upholstery

 XP055 Airtech sport backrest strap adjustable (BLK)

 XP070 Backrest upgrade to leather corners (Black)
\$96.00

Backrest Stitching Options

<input type="checkbox"/> Silver	<input type="checkbox"/> Black	<input type="checkbox"/> Blue	<input type="checkbox"/> Individual:
<input type="checkbox"/> Red	<input type="checkbox"/> Light blue	<input type="checkbox"/> Purple	_____

Backrest RGK Logo Colour

<input type="checkbox"/> White (Std)	<input type="checkbox"/> Green	<input type="checkbox"/> Blue	<input type="checkbox"/> Individual:
<input type="checkbox"/> Red	<input type="checkbox"/> Light blue	<input type="checkbox"/> Purple	_____

Backrest Accessories

 XP170 Individual backrest embroidery
\$160.00
(Please provide .jpeg file and positioning)

CUSHION

Cushion Foam Options

- XP080** Cushion foam (\$96.00)
(select density and size below)
- Soft (CMS040) Medium (CMS050) Hard (9lb recon)
- 50mm 75mm 100mm Other mm
- XP340** Plastazote cushion upgrade (\$91.00)
(Indicate max height)

Cushion Cover Options

- XP081** Nylon cushion cover (Black)
- XP090** Air Lite cushion cover (Black) **XP380** Neoprene cushion cover (Black) (\$101.00)

STRAPS

Velcro straps

- XS050** 100mm Pro adjustable velcro strap (\$138.00)
- XS055** 50mm Pro adjustable velcro strap (\$138.00)
- XS057** 50mm Pro knee strap (\$138.00)
(measurement from tube to tube over knees)

Velcro strap position

Strap 1 Type

Specify strap length mm

Specify distance from back post mm

Strap 1 Type

Specify strap length mm

Specify distance from back post mm

- XS020** Sport ratchet strap (Click strap) (\$74.00)
(11" x 2" pad)
- XS025** Pelvi Loc 2DA ratchet strap (\$323.00)
(For thighs and knees)
- XS030** Pelvi Loc 3DA ratchet strap (\$334.00)
(For hips)
- XS035** M2 ratchet strap (\$225.00)
(For thighs and knees)
- 8" 10" 12"

Strap 1 Type

Specify distance from back post mm

Strap 2 Type

Specify distance from back post mm

- XS040** Fixed mounting points (\$128.00)
(one set per click strap) x1 x2 x3
- XS045** Clamped mounting points (\$77.00)
(one set per click strap) x1 x2 x3

FRAME OPTIONS

- XR060** Calf strap mounting loops (\$122.00)
- XR065** Strap location loops (\$93.00)

ACCESSORIES

- XR030** Triple wheel bag (Black) (\$160.00)
- XP130** Frame protectors full length (\$101.00)
- XS100** Bodypoint waist strap (\$82.00) Small Large
- XS070** Foot strap *(select if required)*
- XS060** Calf strap *(select if required)*
- XP400** Back bar protector
- XR090** Tool kit

ELITE

SERIAL NO: _____

PROD DATE: ____ / ____

